



# 2025 Classic 2CV Racing Championship



**Organised by:**  
**The British Automobile Racing Club**  
Thruxton Circuit, Andover, Hampshire, SP11 8PN

**PUBLISHED 24/3/25**

## Contents

<b>1.</b>	<b>SPORTING REGULATIONS – GENERAL .....</b>	<b>4</b>
1.1	Title & Jurisdiction: .....	4
1.2	Officials: .....	4
1.3	Competitor Eligibility: .....	4
1.4	Registration: .....	5
1.5	Championship Events: .....	5
1.6	Scoring: .....	6
1.7	Awards: .....	6
<b>2.</b>	<b>CHAMPIONSHIP EVENT MEETINGS &amp; RACE PROCEDURES .....</b>	<b>8</b>
2.1	Entries: .....	8
2.2	Briefings: .....	8
2.3	Qualification Practice: .....	8
2.4	Races: .....	8
2.5	Starts: .....	9
2.6	Session Red Signal: .....	9
2.7	Pits, Paddock & Pitlane Safety: .....	9
2.8	Race finishes: .....	10
2.9	Results: .....	10
2.10	Timing Modules: .....	10
2.11	Qualification Races: .....	10
2.12	Operation of Safety Car: .....	10
2.13	Onboard Cameras: .....	10
<b>3.</b>	<b>SPECIFIC CHAMPIONSHIP REGULATIONS .....</b>	<b>11</b>
3.1	General Regulations: .....	11
3.2	Enduro Event: Additional / Special .....	11
<b>4.</b>	<b>PENALTIES.....</b>	<b>13</b>
<b>5.</b>	<b>TECHNICAL REGULATIONS .....</b>	<b>14</b>
5.1	Introduction: .....	14
5.2	General Description: .....	14
5.3	Safety Requirements: .....	14
5.4	General Technical Requirements & Exceptions: .....	15
5.5	Chassis: .....	16
5.6	Bodywork: .....	16
5.7	Engine: Club Class .....	18
5.8	Suspensions: .....	24
5.9	Transmissions: .....	25
5.10	Electrics: .....	26
5.11	Brakes: .....	27
5.12	Wheels/Steering: .....	27
5.13	Tyres: .....	27
5.14	Weights: .....	27
5.15	Fuel Tank/Fuel: .....	28
5.16	Silencing: .....	28
5.17	Numbers/Decals: .....	28
5.18	Miscellaneous: .....	28
<b>6.</b>	<b>SPECIFIC REGULATIONS – 24 HOUR EVENT:.....</b>	<b>30</b>
6.1	General Regulations: .....	30
6.2	Eligible Cars: .....	34
6.3	Race Start: .....	34
6.4	Technical: .....	34
6.5	Podium Presentation: .....	35

<b>7.</b>	<b>APPENDICES TECHNICAL.....</b>	<b>36</b>
7.1	Race Organising Clubs And Contacts: .....	36
7.2	Drawings:.....	36
7.3	Commercial Undertakings .....	<b>Error! Bookmark not defined.</b>
<b>8.</b>	<b>REGISTRATION FORM.....</b>	<b>40</b>
	<b>2024 2CV 24 HOUR ENDURO – MINI GRANDE REGULATIONS.....</b>	<b>41</b>
1.	General Regulations: .....	41
2.	Technical Regulations .....	41
3.	General Engine Regulations.....	44
4.	Suspensions .....	45
5.	Transmissions .....	46
6.	Electrics.....	46
7.	Brakes .....	47
8.	Wheels & Tyres .....	47
9.	Minimum Weight Limits .....	47
10.	Competition Numbers .....	47
11.	Engine Specification For Mini Grande 24 Hour Race .....	47
12.	General Engine Specification For Races Outside Of The UK .....	48
13.	Specific Race Regulations: .....	49
	<b>2024 2CV UK HYBRID SPORTING &amp; TECHNICAL REGULATIONS .....</b>	<b>50</b>
1.	Sporting Regulations.....	50
2.	Technical Regulations .....	50
	<b>APPENDIX - RACE WITH RESPECT .....</b>	<b>53</b>

## 1. SPORTING REGULATIONS – GENERAL

### 1.1 TITLE & JURISDICTION:

The Classic 2CV Racing Championship is organised and administered by the British Automobile Racing Club (BARC) in association with the Classic 2CV Racing Club Limited and promoted by them, in accordance with the National Competition Rules (NCR) of the Motorsport UK Association Limited (incorporating the provisions of the International Sporting Code of the FIA) and these Championship Regulations.

Motorsport UK Championship Permit No: CH2025/041

Race Status: Interclub

Motorsport UK Championship Grade: Grade D

### 1.2 OFFICIALS:

1.2.1 Co-ordinator: Andrew Bull

1.2.2 Licensed Eligibility Scrutineer: Jeff Nixon

1.2.3 Championship Stewards:  
Brian Hemmings  
John Leck  
Pat Blakeney  
Ian Watson

Any three Championship Stewards will constitute a quorum. In the event of any of the Championship Stewards listed above being unavailable or being unable to consider any particular matter due to a perceived conflict of interest, the organisers reserve the right to appoint an alternative Championship Steward or, if deemed to be necessary, more than one alternative Championship Steward.

Any three of the Championship Stewards may sit to make a decision. In accordance with G2.7, Championship Stewards may only adjudicate on any disputes, irregularities or appeals arising from the approved Championship Regulations. Under G2.7.1, Championship Stewards are also empowered to consider any request from the Championship co-ordinator to penalise any Competitor for any breach of Championship Regulations after holding a formal hearing to impose a penalty in accordance with C.2.1.1 (subject to the rights of appeal provided for in Section C). Under W2.2.1, the Championship Stewards can only adjudicate upon any disputes, irregularities or appeals arising from the approved Championship Regulations. They are also empowered to consider any request from the Championship Co-ordinator to penalise any Competitor for breach of Championship Regulations and after holding a formal hearing, to impose a penalty in accordance with C.2.1, subject to the rights of appeal to the MSC provided in Section C.

1.2.4 Championship Clerk of the Course: N/A

1.2.5 Championship Drivers Representative: George Broadhurst (Classic 2CV Racing Club Limited)

### 1.3 COMPETITOR ELIGIBILITY:

1.3.1 Entrants must:

- (a) Be Members of the Classic 2CV racing club (Includes Day membership)
- (b) Be current members of the BARC. (Except Guest)
- (c) Be Registered for the Championship. (Except Guest)
- (d) Be in possession of a valid Motorsport UK Entrants Licence.

1.3.2 Drivers and Entrant/Drivers must:

- (a) Be Members of the Classic 2CV racing club (Includes Day membership)
- (b) Be current racing members of the BARC. (Except Guest)
- (c) Be Registered for the Championship. (Except Guest)
- (d) Be in possession of valid Competition Race Club status Licence, as a minimum.
- (e) Or be in possession of the highest grade of national Race licence or valid FIA International Licence, together with their ASN's written consent (Ch6.App.3.Art.1.6 and FIA ISC Article 2.3.7.b applies).

- (f) If participation in the Championship requires absence from education a Driver, in full time school education is required to have the approval of their head teacher and a letter stating such approval from their school in order to fulfil registration for the Championship. A Driver shall not take time out of their education to participate in motor sport without the prior written approval of their education establishment.
- (g) Agree to abide by the Motorsport UK Race With Respect campaign at all times to promote a safe, enjoyable and fair environment (see Regulation 3.3).

- 1.3.3 At the discretion of the organisers, guest Drivers may compete in a race forming a round of this Championship under whatever conditions they deem to be appropriate but may NOT score points towards the Championship. Also see 1.6.7. In addition to Article 1.3.3 above membership, even if that is only “guest membership” is one of the conditions applied to being considered for being put forward as a guest Driver.
- 1.3.4 All necessary documentation must be presented for checking at all rounds when signing-on. This will include both the competition licence and BARC membership card.

#### 1.4 REGISTRATION:

- 1.4.1 All Competitors must register for the Championship by returning the Registration Form with the Registration Fee to the Co-ordinator prior to the closing date for entries for the first round being entered.
- 1.4.2 There is no Registration Fee payable.
- 1.4.3 Registration numbers issued will be the permanent Competition numbers for the Championship season.
- 1.4.4 Numbers 1-10 will be reserved by the Organisers for the Driver finishing in that Championship position from the previous Year. There is no obligation for the Driver to take the number. No other Driver may take the number.
- 1.4.5 Numbers 11-99 will be allocated by the Organisers to any Driver regardless of Championship finishing positions from the previous Year.

#### 1.5 CHAMPIONSHIP EVENTS:

- 1.5.1 The Championship is scheduled to be contested over five meetings as follows:

DATE	VENUE	CLUB	FORMAT
5 April	Silverstone Int.	BARC	2 Sprint Races
17/18 May	Pembrey	BARC	2 Sprint / 1 Enduro
19 July	Lydden Hill	LHMC	2 Sprint Races
22 – 24 August	Snetterton (200)	BARC	24 Hour Race
11 October	Oulton Park	BARC	2 Sprint Races

- 1.5.2 In accordance with NCR Ch.3 App.10 Art.4.2 and Ch.12 App.2 Art.4 the organisers reserve the right to amend the published list of dates and rounds, in which case, all registered Competitors will be informed of the amendments by Official Bulletins posted to the address specified on the Official Registration Form. In the event that a race within the Championship is for some reason cancelled or postponed the Organisers reserved the right to add a replacement race in to one of the meetings still to be completed where time is available.
- 1.5.3 The Championship will contain two classes:
  - a) Club Class
  - b) Classique Class

## 1.6 SCORING:

1.6.1 Drivers competing in two cars in a meeting where Driver changes are permitted must nominate their points scoring car prior to qualifying. If no car is nominated, the first car driven will be counted.

1.6.2 Points will be awarded to Competitors listed as starters or classified finishers in the Final Results as follows:

1st – 100, 2nd – 90, 3rd – 80, 4th – 75, 5th – 70, 6th – 65, 7th – 60, 8th – 55, 9th – 50, 10th – 45,

11th – 40, 12th – 35, 13th – 30, 14th – 25, 15th – 20, 16th – 15 and 10 points for all other finishers

In addition, five points will be awarded to the Driver setting the pole position time and three further points awarded to the Driver setting the fastest race lap.

Should for whatever reason, the scheduled race duration (as may be amended by Official Bulletin) not be completed, the following points will be awarded:

More than 50% the scheduled duration will attract 100% points.

More than 2 laps of the scheduled duration will attract 50% points.

A race of less than 2 laps will be declared null and void in accordance with Motorsport UK Regulations and no points awarded.

## 1.6.3 CAR SHARING:

1.6.3.1 Drivers who share a car at a meeting where Driver changes are not permitted shall score the total of their own points and the points of the Driver with whom they share the car, but only when the sharing Driver is competing in the shared car.

1.6.3.2 Drivers competing in two cars in a meeting where Driver changes are not permitted will score points based on their finishing positions in the races, they compete in. Rule 1.6.3.1 will not apply to the Driver competing in two cars at the same meeting.

1.6.3.3 Where a meeting has three (3) sprint races, the Driver competing in the third race may only be one of the Drivers who have already competed in the shared car in either the first or second race at the meeting.

1.6.4 The totals from all qualifying Events run will determine final Championship points and positions.

1.6.5 Ties shall be resolved using the formula in W1.3.4, in the current Motorsport UK NCR.

1.6.6 Where the race distance has been reduced in accordance with Article 2.6 below, it shall still count as a full point scoring round.

1.6.7 Competitors not registered for the Championship may be permitted on an individual round basis and:

a) will be deemed "Guest Competitors".

b) will not score points and for the purpose of points scoring will be ignored.

c) will be allowed to take their place on the podium and qualify for any Event awards.

d) must comply with the eligibility criteria as prescribed in Article 1.1 above, with the exception of 1.3.1(c) and 1.3.2 (c) as appropriate.

e) must be a member of the Classic 2CV Racing Club

1.6.8 In addition to scoring point as classified finishers as above, any Driver listed as a classified finisher in an Classique Class car will score Classique Class points as follows, based on their Classique Class finishing position:

1st – 100, 2nd – 90, 3rd – 80, 4th – 75, 5th – 70, 6th – 65, 7th – 60, 8th – 55, 9th – 50, 10th – 45,

11th – 40, 12th – 35, 13th – 30, 14th – 25, 15th – 20, 16th – 15 and 10 points for all other Classique Class finishers.

In addition, 5 Classique Class points will be awarded to the Driver setting the fastest time in qualifying (Classique Class pole position) and three further Classique Class points awarded to the Driver setting the fastest race lap (Classique Class fastest lap). Classique Class points do not count towards the Championship points and positions.

## 1.7 AWARDS:

1.7.1 All awards are to be provided by the Classic 2CV Racing Club Limited.

1.7.2 Per Event: An award will be presented to the winner of each race.

1.7.3 Championship: A trophy will be awarded to the overall Championship winner.

1.7.4 Presentations:

Awards will be presented at the end of each Event and/or at the end of the Championship at the designated presentation ceremony. Attendance at any such ceremony is mandatory and failure to attend may result in the loss of all awards.

1.7.5 Entertainment Tax Liability:

Prize money and Bonuses shall be posted to the Entrants within thirty days of the results being declared final after each Event. In accordance with current government legislation, the BARC is legally obliged to withhold tax at the basic rate on all payments to non-UK resident sportsmen/women and account to HMRC using form FEU1, the quarterly return of payments made to non-resident entertainers and sportsmen/women. That is, those persons who do not have a normal permanent residence in the UK and the UK does not include the Isle of Man, Channel Islands or Eire. This means that, as the organiser, the BARC is required to deduct tax at the current rate applicable from any such payments they may make to non-UK residents. Under certain circumstances, it may be possible for Competitors to enter into an agreement with the Inland Revenue to limit the tax withheld. Any application for such an arrangement must be made in writing and not later than 30 days before the payment is due.

For further information contact:

HMRC Personal Tax International, Foreign Entertainers Unit, St John's House, Merton Road, Liverpool L75 1BB, Tel: 01514 726488, Fax: 01514 726483.

1.7.6 Title to all Trophies:

If Provisional Results or Championship Tables are revised after any presentations and these revisions affect the distribution of awards the Competitors concerned must return them to the organisers in good condition within 7 days.

## 2. CHAMPIONSHIP EVENT MEETINGS & RACE PROCEDURES

### 2.1 ENTRIES:

- 2.1.1 Competitors are responsible for sending in correct and complete entries with the correct entry fee prior to the closing date for entries before each Event. Entries will be collated by the Classic 2CV Racing Club Limited and passed en-bloc to the BARC who will accept entries in accordance with these Regulations. The closing dates will be 20 days before each Event.
- 2.1.2 Incorrect or incomplete entries (Including Driver to be nominated entries) are to be held in abeyance until they are complete and correct and the date of receipt for acceptance of entry purposes shall be the date on which the Meeting Organiser receives the missing or corrected information or fee.
- 2.1.3 Any withdrawal of Entry or Driver/Car changes made after acceptance of any entry must be notified to the Meeting Organisers in writing. NCR Ch.6.App.3.Art.1.6applies.
- 2.1.4 The Entry Fee for each Event shall be specified in the SRs and on the entry form.
- 2.1.5 Reserves will be listed in the Final List of Entries published with Final Instructions or in a Bulletin.

### 2.2 BRIEFINGS:

Organisers should notify Competitors of the times and locations for all briefings in the Final Instructions for the meetings. Competitors must attend all briefings.

### 2.3 QUALIFICATION PRACTICE:

- 2.3.1 Should any Practice session be disrupted the Clerk of the Course shall not be obliged to resume or re-run the session; the decision of the Clerk of the Course shall be final.

- 2.3.2 For each Event, except the 24-Hour Event, there shall be a 25 or 35-minute qualifying session, the session time will depend on the lap time for a 2CV. Where the lap time is expected to be under 2 minutes the 25-minute format will be used, where the lap time is expected to exceed 2 minutes the 35-minute format will be used. Regulation 2.3.3 below describes how the session will be run.

For any two-hour races there shall be a 40-minute qualifying session.

For the 24-Hour Event see Regulation 6.1.5. Each Driver shall complete a minimum of 3 laps in the car to be raced in order to qualify (Motorsport UK NCR Ch.12 App6 Art. 3).

- 2.3.3 Throughout this Regulation 2.3.3 the times detailed will be for the 25-minutes format. The times included in brackets show the time allocated when using the 35-minute format.

Where two Races are scheduled at an Event there will be a 25(35)-minute qualifying session. The qualifying session will be split with the first 10(15) minutes setting the grid for the first race, a 5-minute reset and then another 10(15) minute setting the grid for the second race.

At the end of the first 10(15)-minute section the chequered signal will be shown at the start line, and all cars must return to the pit lane.

During the 5 minute 'reset', all cars are to return to pit lane where Driver changes may take place, if necessary, and all cars should then proceed to the end of the pit lane. All cars will then be released onto the circuit for the second 10(15)-minutes qualifying section.

A Driver competing in the first race must take part in the first 10(15) minutes of the session. A Driver competing in the second race must take part in the second 10(15) minutes of the session.

- 2.3.4 Where a third race is held this grid will be determined by taking the fastest lap time set in the race one by each car. The Driver for the third race must be either the Driver from race one or the Driver from race two, a third Driver is not allowed.

### 2.4 RACES:

- 2.4.1 Should any race be disrupted the Clerk of the Course shall not be obliged to resume or re-run the race (NCR Ch.12 App.6 Art.9) in addition Article 1.6.6 above applies.
- 2.4.2 All races will run an 'open' pit lane, with a green light shown at the pit exit, unless under Safety Car conditions.



- 2.4.3 Meeting Organisers may impose Stop / Go Penalties for infringement of pit lane or Driver change Regulations during endurance Events where Driver changes are allowed.

## 2.5 STARTS:

- 2.5.1 All cars will be released to form up on the grid prior to the start in formation as specified on the grid sheet.
- 2.5.2 All race start countdowns are to have a minimum elapsed period of 5 minutes from the time all cars are released to form up on the grid to the start of the Green signal Lap(s) in the formation as specified on the Track Licence for each circuit.
- 2.5.3 The start will be via a Standing start, unless stated otherwise in Final Instructions. The countdown procedure and audible warning sequence prior to the start of the race shall be:

SIGNAL	INSTRUCTION
<b>1 Minute</b>	Start engines and clear the grid
<b>30 Seconds</b>	Be prepared for start of the Green Signal Lap
<b>Green Signal</b>	Complete one lap and reform in grid positions
<b>5 Seconds</b>	The grid is complete, prepare for start
The red lights will be switched on five seconds after the 5 second board is withdrawn and will be extinguished between 2 and 7 seconds later	
<b>Red Lights Off</b>	Race Start

- 2.5.4 Any car removed from the grid or driven into the pits on the Green Signal lap shall be held in the pit lane and may start the race after the last car to take the start from the grid has passed the start-line or pit lane exit, whichever is later.
- 2.5.5 Any Driver unable to start the Green Signal/Pace lap or start is required to indicate their situation as per Motorsport UK NCR Ch.12 App6 Art.6.11.. In addition, any Driver unable to maintain their grid position on the Green Signal Lap, to the extent that all other cars are ahead of them, may complete the Green Signal lap but must remain at the rear of the last row of the grid but ahead of any cars to be started with a time delay.
- 2.5.6 In the event of any starting lights failure the Starter will revert to use of the National Flag once all Competitors have been advised of the fact.
- 2.5.7 The Organisers reserve the right to amend this start procedure via a bulletin issued to all Competitors. This may involve changing the method of starting and/or the countdown procedure leading up to the start signal being given.
- 2.5.8 Excessive weaving to warm-up tyres - using more than 50% of the track width and falling back in order to accelerate and practice starts, is prohibited.
- 2.5.9 The organisers reserve the right to amend the start procedure to suit the constraints of the timetable, this may include in exceptional circumstances removal of the Green Signal lap. Competitors will be advised of any such change as soon as practicable but before being released to the grid.

## 2.6 SESSION RED SIGNAL:

- 2.6.1 Should the need arise to stop any race or practice; red lights will be switched on at the Startline and red signals will be displayed at the Startline and at all Marshals Signalling Points around the Circuit. This may be supplemented by the showing of red flags around the circuit.

This is the signal for all Drivers to cease circulating at racing speeds, to slow to a safe and reasonable pace and to return to the pit lane, during practice, and to the starting grid area, during a race, unless otherwise directed by officials.

- 2.6.2 Cars may not enter the Pits unless directed to do so or repairs are necessary. Work on cars already in the Pits must cease when a race is stopped and may only continue under the control of a Scrutineer. Cars in the Pits may not re-join the grid.
- 2.6.3 All Competitors who are able to take part in any restarted race may do so in accordance with Ch.12 App.6 Art.9.2

## 2.7 PITS, PADDOCK & PITLANE SAFETY:

- 2.7.1 Pits & Paddock: Competitors must ensure that the Motorsport UK, Circuit Management and Organising Club Safety Regulations are complied with at all times. In addition, any paddock plan issued by the Organisers must be complied with and the minimum amount of space should be used when setting up.

- 2.7.2 Pit lane: The outer lane or lanes are to be kept unobstructed to allow safe passage of cars at all times. The onus shall be on all Drivers to take all due care and respect the pit lane speed limits. No-one under the age of 16 is permitted access to the pit lane unless they are the holder of a Motorsport UK Junior Race licence
- 2.7.3 Refuelling: May only be carried out in accordance with the Motorsport UK NCR, the Organising Club Regulations, Circuit Management Regulations and the SRs or Final Instructions issued for each Circuit/Meeting.
- 2.7.4 Speed Limit Pit Lane Speed Limit will be 60 k.p.h.

## **2.8 RACE FINISHES:**

After taking the Chequered Signal Drivers are required to:

- a) progressively and safely slow down
- b) remain behind any Competitors ahead of them,
- c) return to the Pit Lane Entrance/Paddock Entrance as instructed,
- d) comply with any directions given by Marshals or Officials,
- e) keep their helmets on and harnesses done up while on the circuit or in the pit lane,
- f) place their car into the Parc Fermé where it must remain until released by the Championship Eligibility Scrutineer or his deputy.
- g) Attend any podium presentation that may be required.

## **2.9 RESULTS:**

All Practice Timesheets, Grids, Race Results are to be deemed Provisional until all vehicles are released by Scrutineers after Post Practice/Race Scrutineering and/or after completion of any Judicial or Technical Procedures (Motorsport UK Regulation D26.3).

## **2.10 TIMING MODULES:**

It is the Competitors responsibility to ensure that a working transponder is fitted to the vehicle in accordance with NCR Ch.12 App.6 Art.2.. No electronic equipment may be placed within five metres of any official timing line and any breach of this may result in the confiscation of the equipment concerned.

## **2.11 QUALIFICATION RACES:**

If any Event is oversubscribed the Organising Club may at their discretion run Qualification Races details of which will be published in Final Instructions for the Event.

## **2.12 OPERATION OF SAFETY CAR:**

The Safety Car will be brought into operation and run-in accordance with Ch.12 App.8 Art.2 of the Motorsport UK NCR.

## **2.13 ONBOARD CAMERAS:**

Cameras may be fitted to vehicles in accordance with NCR Ch.7 App.9 provided that the camera fitment is approved by the Scrutineer and that any footage obtained is not for commercial use. The Clerk of the Course and the Stewards may make use of any such footage in reaching their decisions on any judicial matters.

### 3. SPECIFIC CHAMPIONSHIP REGULATIONS

#### 3.1 GENERAL REGULATIONS:

- 3.1.1 For each meeting where the duration of each race is less than 60 minutes, there may be a maximum of two Drivers per car who may enter and share a car.
- 3.1.2 The standard minimum scheduled race distance shall be 15 minutes whenever practicable but should any race distance be reduced at the discretion of the Clerk of the Course or Stewards of the Meeting; it shall still count as a full point scoring round.
- 3.1.3 When sharing a car each Driver must complete one race, there may be no Driver changeover made.
- 3.1.4 A Driver may only race the car in which he/she set a Qualifying time no replacement cars are permitted.
- 3.1.5 Any 2-hour Enduro and the 24-Hour race will be started by means of a rolling start using the following procedure and audible warning sequence:

SIGNAL	INSTRUCTION
<b>1 Minute</b>	Start engines and clear the grid
<b>30 Seconds</b>	Be prepared for start of the Green Signal Lap
<b>Green Signal</b>	Complete one lap of the circuit forming into grid order prior to the final corner of the circuit
<b>Red Lights ON</b>	Maintain grid position
<b>Red Lights OFF</b>	Race Start

- 3.1.6 The use of tyre heating / heat retention devices, tyre treatments and compounds is prohibited.

#### 3.2 ENDURO EVENT: ADDITIONAL / SPECIAL

##### 3.2.1 GENERAL PRINCIPLES:

- 3.2.1.1 This section (3.2) of the Classic 2CV Racing Championship Regulations is not applicable to the 24-Hour Event.
- 3.2.1.2 Pit lane open and pit lane closed boards will be shown at the start line at the relevant times.
- 3.2.1.3 For races of one hour duration, Driver changes will take place between 1/3 and 2/3 duration of the Event in question.
- 3.2.1.4 For races of two hours duration, there will be three mandatory pit stops for Driver changes. Refuelling is not permitted save for exceptional circumstances, and then only at the discretion and direction of the Clerk of the Course.

##### 3.2.2 SINGLE DRIVERS:

- 3.2.2.1 Single Drivers must advise the meeting Organisers at the time of entry and confirm at sign-on.
- 3.2.2.2 All cars with a single Driver must enter the pit lane during the Driver change-over period as indicated in 3.2.1.3 & 3.2.1.4 above.
- 3.2.2.3 Observing all usual pit lane safety Regulations, the car must stop before seatbelts are removed. Failure to comply may lead to the imposition of a Stop / Go Penalty by the Clerk of the Course.
- 3.2.2.4 During Driver changes, the engine may be left running except during Events where refuelling takes place in which case the cars' ignition must be 'dead'.
- 3.2.2.5 The Driver must exit the car via the Drivers' door, close the door and may then re-enter the car via the Drivers' door fully replacing seat belts before moving off.
- 3.2.2.6 Drivers may then exit the pit lane re-joining the race.

##### 3.2.3 MULTIPLE DRIVER TEAMS:

- 3.2.3.1 Multiple Driver teams must advise the Meeting Organisers at the time of entry and confirm Driver names and order of practice at sign on.
- 3.2.3.2 Teams must advise the Meeting Organisers of the order that Drivers will be racing in at least 1 hour before racing starts.
- 3.2.3.3 All cars must enter the pit lane during the Driver changeover period as indicated in 3.4.1 c & d above.
- 3.2.3.4 Observing all usual pit lane safety Regulations, the car must stop before seatbelts are removed. Failure to comply may lead to the imposition of a Stop / Go Penalty by the Clerk of the Course.

- 3.2.3.5 The Driver must exit the car via the Drivers' door. The engine may be left running except during Events where re-fuelling takes place in which case the cars' ignition must be 'dead'.
- 3.2.3.6 The next Driver must enter the car via the Drivers' door fully replacing seat belts before moving off.
- 3.2.3.7 Drivers may then exit the pit lane re-joining the race.
- 3.2.3.8 A maximum of four Drivers will be allowed per team.
- 3.3 By registering for the Championship all Competitors and their associates commit to positively promote and demonstrate the Motorsport UK's Respect Code which is appended to these Regulations (Appendix – Race with Respect).
  - 3.3.1. Where any reports of disrespectful conduct are judged to be well founded the Championship organisers may issue warnings or require remedial actions and/or report the matter to the Championship Stewards who may impose appropriate penalties which can include loss of Championship points and/or race bans through to Championship Expulsion and referral to Motorsport UK.
  - 3.3.2. It is imperative that we promote the safety and wellbeing of young people and adults at risk. In addition to this all participants must be aware of their behaviour and conduct at all times and abusive language and harmful behaviour will not be tolerated. Any such incidents must be reported to the Championship Coordinator and/or Safeguarding Officer who will also relay the report Motorsport UK. Details of the Motorsport UK Policies and Guidelines are available at [www.motorsportuk.org/resource-centre](http://www.motorsportuk.org/resource-centre) by selecting Policies and Guidelines.

## 4. PENALTIES

All penalties will be in accordance with Ch.2 of the current Motorsport UK NCR and these Regulations.

### 4.1 Infringements of Technical Regulations:

#### 4.1.1 Arising from post practice Scrutineering or Judicial Action:

Minimum Penalty: The provisions of Motorsport UK NCR: Ch.2, App.8, Art.1.10.

#### 4.1.2 Arising from post-race Scrutineering or Judicial Action:

Minimum Penalty: The provisions of Motorsport UK NCR: Ch.2, App.8, Art.2.1 a & b.

For infringements deemed to be of a more serious nature the Clerk of the Course may invoke the provisions of NCR Ch.2, App.8, Art.2.1 c). However, if the Clerk of the Course believes that there is some mitigation surrounding the infringement then NCR Ch.2, App.8, Art.2.1 c need not be implemented.

### 4.2 All infringements of non-technical Motorsport UK NCR and the Sporting Regulations will be dealt with in accordance with these Championship Regulations and the Motorsport UK NCR.

### 4.3 Additional specific Championship penalties:

#### 4.3.1 Any Competitor adjudged to have made a false start or breached any part of the start procedure will be penalised by means of a ten second penalty being added to his total race time.

#### 4.3.2 Breaches of 2.7.4 will usually be dealt with by a fine of up to £10 per k.p.h. above the limit in qualifying and by means of a “drive through” penalty during races.

#### 4.3.3 Any Competitor disqualified from the results of an Event will not be allowed to count the score as part of any dropped scores.

#### 4.3.4 Any Competitor may be called before the Championship Stewards who at their discretion may take further action against the Competitor. This may include, but is not limited to, the loss of Championship points, a fine to a maximum of £1,000 or disqualification from part or all of the Championship.

#### 4.3.5 The Clerk of the Course may impose a “Stop / Go” or “Drive through” penalty for a breach of Regulations, in accordance with Ch.12 App.10 Art.2

#### 4.3.6 Any vehicle not carrying the mandatory Championship decals will be subject to a fine of £100 for the first infringement and then £500 for any subsequent infringement.

## 5. TECHNICAL REGULATIONS

### 5.1 INTRODUCTION:

The following Technical Regulations are set out in accordance with the Motorsport UK specified format, and it should be clearly understood that if the following texts do not clearly specify that the changes are permitted then it is accepted that the changes are prohibited.

For the purposes of these Regulations, 'modification' means any change in the design, material, shape, dimension and / or surface finish of any component except for basic manufacturing processes, normal wear and published service or repair procedures.

STANDARD Is defined as OEM quality. The word 'standard' used within these technical Regulations as a description of components is to be interpreted as per 'Standard Part' defined in Ch.1 App.1 – Nomenclature & definitions in the Motorsport UK NCR, for the UK/European specification Citroën 2CV Models manufactured between 1970 and end of production.

Citroen manuals MAN108161 and MAN308162 may be used as guidance if necessary.

STANDARD PATTERN: The words 'standard pattern' used within these technical Regulations as a description of components is to be interpreted as 'Standard Pattern Part' defined in Ch.1 App.1 – Nomenclature & Definitions in the Motorsport UK NCR for the UK specification Citroën for the UK/European specification Citroën 2CV Models manufactured between 1970 and end of production.

Particular attention shall be paid to pattern parts to ensure they are suitable and safe and are accurate reproductions of the OEM components. The technical committee may support (with the aid of external Specialists) should a query be made.

The Technical Committee of the organisers will from time to time, visually inspect Competitor's cars and it is a mandatory requirement that Competitors facilitate such inspections. This Technical Committee may also advise the Eligibility Scrutineer on such matters which may potentially contravene these Regulations. As a result, if the Eligibility Scrutineer feels that the Regulations have been breached then they may request ballast to be carried until compliance is achieved.

### 5.2 GENERAL DESCRIPTION:

The Championship was conceived as a low-cost form of motorsport. It is intended to be a racing formula to develop the continued use and enjoyment of the 2CV, where driving skills and car control are of paramount importance and where technical development takes a secondary place.

The Championship will contain two classes.

- a) Club Class; for Competitors participating in standard production post 1970 Citroen 2CV6 saloon vehicles.
- b) Classique Class; for Competitors participating in standard production post 1970 Citroen 2CV6 saloon vehicles or post 1970 Citroen Dyane saloon vehicles

Unless stated in the following sections the requirements are the same for both classes.

### 5.3 SAFETY REQUIREMENTS:

- 5.3.1 The following Articles of Motorsport UK Section K Safety Criteria Regulations will apply:  
Ch.7 App.2, App.3, App.4, App.5, Ap.6, App.7, Ap.8, App.9, App.10, App.11, Ch.9
- 5.3.2 A plumbed in fire extinguisher that complies with Motorsport UK Regulations is mandatory (Ch.12 App.13 Art.11.10).
- 5.3.3 Wooden rimmed steering wheels are not permitted.
- 5.3.4 A steel roll cage complying with the Motorsport UK NCR shall be installed. A rigid roof of sheet metal (minimum 1.5mm steel or 3mm aluminium) shall be fitted to the roll cage. The roof must cover the whole perimeter defined by the four main tubes at roof level. It may be fitted either by being carefully welded to the main tubes, or by being bolted to substantial brackets welded to the main roll cage tubes. The roll cage shall be fitted with door bars to both sides of the car at hip level. Cross bars shall be fitted across the car between the front feet and the rear feet of the cage. These must be made of one of the following:

- a) the same material / cross section as the roll cage.
- b) or solid rectangular bar of at least 5mm x 50mm.
- c) or rectangular box section of at least 50mm x 25mm x 3mm wall thickness.

The bars are to be attached to the roll cage feet by good quality welds. Front and rear cross bars must be securely bolted through the floor to the chassis. Where rear cross bars are fitted across the seat riser, these must be securely welded at multiple points along its length, as these cannot be bolted to the chassis. The padding of any dangerous points of the rollbars is recommended in order to prevent injury.

- 5.3.5 Rear harness mountings are to be mounted either on the rear cross member of the roll cage or on the body floor through the saddle above the fuel tank, (in accordance with NCR Ch.7. App. 13 Diagram 50. Not using the standard points in the inner wing.
- 5.3.6 FIA homologated seat belts are mandatory (Ch.12 App.13 Art.11.3). Particular attention should be given to seat belt angles and anchorage. See NCR Ch.7 App.13 Diagram 49 .
- 5.3.7 It is permissible to add a single outrigger for each roll cage foot from the chassis side rail to the foot. This must be at 90 degrees to the side rail and support only the roll cage foot, mounted under the floor. This must mount to the chassis at a single point. This can be a bracket or tube from the chassis side rail to the front or rear cage feet and/or the rear back stay cage feet. This bracket is in addition to the cross bar described in 5.3.4. One of the following 3 materials specifications must be used:
- a) Square section steel tube of at least 40mm x 40mm x 3mm.
  - b) Round CDS tube at least 38mm dia x 3mm wall.
  - c) A sheet metal bracket fabricated from at least 4mm thick mild steel plate.

Plates to attach to cage feet must be of the same specification as the cage foot itself.

In the case where a tube is used, a 3mm thick steel reinforcing plate must be welded to the end of the tube where it attaches to the chassis. This plate must be a minimum of 100mm wide and the same height as the chassis rail where it attaches.

The bracket assembly can be attached to the chassis side rail either by good quality welding or the use of 4 no. M8 bolts.

- 5.3.8 It is mandatory to use a seat belt with a minimum of 5 fixing points, where at least one fixing point is designed to prevent the Driver from sliding forward and under the lap straps. Seat belts must be suitable for use with a Frontal Head Restraint (FHR) device and be properly installed in the car in accordance with the manufacturer's installation instructions. Installation guidance can also be found in the FIA publication 'Guide for the use of HANS® in international motor sport'.
- 5.3.9 A seat shall be mounted such that the fore/aft centre line of the seat is a minimum of 150mm from the fore/aft centre line of the chassis. In circumstances where the Seat is mounted at an angle to the chassis centreline, the centreline will be checked at the extremities of the seat fore and aft, but not beyond the seat.
- 5.3.10 A metal frame may be fabricated from a minimum of 3mm steel or 5mm aluminium to connect the seat supports to the chassis with a minimum of 4 bolts of minimum M8 size. Further M8 bolts to the floor and / or sills are permitted. All bolts to be a grade 8.8 minimum.

#### **5.4 GENERAL TECHNICAL REQUIREMENTS & EXCEPTIONS:**

- 5.4.1 The car shall be of sound construction, in good mechanical condition and well maintained in accordance with Motorsport UK NCR Ch.7, Ch.8 and Ch.12 App.13 as appropriate. It shall be presented in good order. All inspection areas e.g., engine, gearbox, suspension components, etc. shall be in a clean condition. Particular attention should be paid to the integrity of the internal chassis members.

You are reminded that vehicles must be presented in good order and be well maintained ready to take part in a tightly fought and competitive racing series.

You are reminded that these are 'racing cars' not 'old race cars'.

- 5.4.2 Cars shall have a minimum weight of 665kg inclusive of Driver, at all times during and at completion of practice and racing.

5.4.3 All cars must have a 'logbook' presented with the car for scrutineering, and at all times during an Event. The logbook shall be available for download and print from the C2CVRC website. It is the entrant's responsibility to ensure this logbook is kept with the vehicle, includes the Vehicle ID number and is available for review upon request by the Technical Committee (during random inspections) and at scrutineering for review upon request.

5.4.4 Any Competitor who requires modifications which are not permitted in the technical Regulations, to be made for reasons of accessibility, may write to the Board and Technical Sub-Committee with details of the required modifications in order to obtain permission to make these modifications.

## 5.5 CHASSIS:

A standard Citroen UK Market 2CV6 or Dyane chassis (Citroen part No 75519116) or Classic 2CV Racing aftermarket racing Frome, or aftermarket racing SLC Chassis shall be used.

For the purposes of clarity, the protrusions fore and aft of the chassis centre section shall be deemed as the chassis 'LEGS'. The supports fitted to the sides of the chassis are 'suspension mounting points', and also 'outriggers' for the floor support.

5.5.1 No part of the interior which is an integral part of the chassis/floor pan shall be removed or modified.

5.5.2 Strengthening of the chassis legs and good quality patch repairs is permissible. The removable cross member above the petrol tank shall be fitted unmodified.

5.5.3 A 'Substantial' guard must be fitted to protect the fuel tank.

5.5.4 Any 'Under-tray' or 'Fuel Tank Guard' fitted to the car may only be within the areas of the chassis and may not protrude beyond the chassis legs.

## 5.6 BODYWORK

### 5.6.1 GENERAL:

5.6.1.1 A standard external appearance must be maintained at all times, except where deviations from this allow and are specifically mentioned in these regs.

5.6.1.2 The body shell shall be all standard steel 2CV6 mounted on the chassis in its original position and by the manufacturer's original method, using 'J' fasteners (or as a minimum M7 x 1 Nuts and bolts in place of the J-fasteners). Both right- and left-hand drive models are permissible. With the exception of the "A" panels and rear wings all panels shall be mounted in their original position by the manufacturer's original method. The "A" panels and rear wings must be fitted in their original position but may use alternative fastening methods

5.6.1.3 All doors shall be fitted with anti-burst locks, which must operate to the second latch point. These shall be kept unlocked during any practice or competition. Front door key operated barrels may be removed. Front door locking mechanisms may be replaced by a rear door locking mechanism. Attention to locking levers as below. Each rear door locking lever shall be held in the unlocked position by means of a spring or the locking mechanism may be disabled by removing the locking lever.

5.6.1.4 All doors and bootlid must be retained in the manufacturers design intent 'closed' position.

5.6.1.5 It is permissible to interchange the front door handles for rear handles. All door handles must be fitted in their original orientation (as per factory standard) and operate in the manufacturers designed manner, i.e., pushed down to open. Handles may not be adjusted to gain an aerodynamic advantage.

5.6.1.6 The bootlid and bonnet fasteners and handles may be removed. Particular attention shall be paid to the Motorsport UK NCR Ch12 App13 Art 3.4 concerning the securing of boot and bonnet panels.

5.6.1.7 Paint/polishing and wrapping are permissible. Door and bootlid rubber seals may be removed.

5.6.1.8 Gap fill strips and brightwork between wing edges and along doors and sills may be removed.

### 5.6.2 INTERIOR:

5.6.2.1 No part of the interior which is an integral part of the bodywork may be removed or modified.

5.6.2.2 The front bulkhead shall be modified to comply with the requirements of the Motorsport UK NCR. The main necessity is to seal the openings bringing hot air into the passenger compartment via the heating system. These openings may be sealed by removing the metal ducting in position and securely fixing metal or GRP plates over the openings. Other small gaps (e.g., around handbrake lever) shall also be sealed.



- 5.6.2.3 All interior trim, fittings, instrumentation and dash panel, courtesy light, and passenger seats may be removed.
- 5.6.2.4 The fitting of additional instrumentation and associated switches and wiring is permitted. It is permissible to fit a replacement dashboard or extend the original dashboard.
- 5.6.2.5 [Removed]
- 5.6.2.6 The original pedal box with original pedals must be fitted in its original position, using the standard mountings, and used for its intended purpose. It is permissible to add extension plates to the pedals these must be a maximum of 120mm wide by 150mm tall at a thickness of 3mm. It is permissible to re-enforce the throttle pedal.
- 5.6.2.7 It is mandatory for all Competitor vehicles to be fitted with a club-supplied vehicle identification plate at all times. It is recommended this be fitted on the rear-seat-box area of the body. This must be kept in good condition and shall remain legible.
- 5.6.3 **EXTERIOR:**
- 5.6.3.1 No panel may be cut, drilled or in any other way modified to save weight other than those detailed in these Regulations.
- 5.6.3.2 3 rear view mirrors shall be fitted as a minimum (1 interior and 2 exterior). The exterior mirrors shall be standard unmodified 2CV door mirror assemblies fitted in the manufacturers intended position. The interior mirror can be mounted in any position that gives the Driver a rear view equal to or better than the standard interior mirror mounted in the manufacturers intended position.
- 5.6.3.3 All mirrors shall provide a view to the rear of the car and shall not be adjusted to provide an aerodynamic advantage.
- 5.6.3.4 It is permissible to alter the "A" panels by cutting away or perforating the recessed dished area to provide greater cooling for the engine bay (The "A" panels are those panels which fit between the rear top edge of the front wing and the bonnet).
- 5.6.3.5 The front inner wings may have material removed (see illustration A).
- 5.6.3.6 [Removed]
- 5.6.3.7 Mud flaps may be removed.
- 5.6.3.8 Bumpers must be removed. Over-riders must not be fitted. Except Classique Class (see 5.6.4).
- 5.6.3.9 The roof must be made of metal and must be firmly affixed to the body shell.
- 5.6.3.10 The bonnet must be secured by leather strap(s), or a minimum of 2 rubber hooks or 2 spring clips. The original catch and striker plate may be removed.
- 5.6.3.11 The windscreen shall be of HPR laminated glass. It is permissible to fit an 'Aftermarket' heated element laminated windscreen.
- 5.6.3.12 The side and rear facing window glass may be replaced with a minimum of 4mm thick clear polycarbonate or Perspex. The front side window mechanisms may be removed and replaced with 'one piece' windows. Particular attention to 5.6.3.13 should be paid. Window rubber seals may be removed, and alternative fixing methods are allowed. It is permissible to allow the windows (except for the front windscreen) to be spaced outwards providing these do not sit proud from the bodywork.
- 5.6.3.13 Effective means of ventilation, as per NCR Ch7. App2, Art.6.16, by means of an openable vent flap, or Driver's window to have a ventilation hole (100cm<sup>2</sup>) or be openable as original design. It is permissible to internally space open the rear window to a maximum depth of 30mm for ventilation purposes. Other windows or bodywork should not be spaced open.
- 5.6.3.14 A maximum of 4 round holes may be made in the lower bonnet area below the grill (where the number plate pressing is). Each hole may have a maximum diameter of 75mm, and they may not overlap each other. A further 2 number plate mounting screw holes (max 7mm dia) will be allowed giving a total of 6 holes.
- 5.6.3.15 A Classic 2CV Racing Club Limited spoiler must be fitted so that the top of the spoiler touches the bottom front leading edge of the front wings and bonnet. The spoiler should remain as one part. The spoiler may be of composite construction. Except Classique Class (see 5.6.4).
- 5.6.3.16 The use of composite wings and bonnets is allowed. Particular attention should be given to the provisions of 5.6.1.1.

5.6.3.17 It is permissible for the vent flap to be permanently fixed closed and the linkage removed. Provisions for additional ventilation are permissible. The metal trim strip above the vent must be retained. It is permissible for the vent flap to be cut vertically. It is permissible for a maximum of 3 ventilation holes to be drilled into the vent flap with a maximum diameter of 30mm. The vent flap may be made from steel, aluminium or stainless steel. Alternatively, the vent flap may be removed, and the vent flap area may be covered and smoothed to the rest of the bodywork. Any solution must consider and be in accordance with 5.6.1.1.

5.6.3.18 Stickers, vinyl wrap, paintwork and sponsors info may be added or changed. No part of these shall be intentionally placed so as to perform any aerodynamic improvements to gaps or shut lines. Gaps, gutters and shut lines shall not be taped or sealed, and must not be smoothed, filled, or taped over.

#### 5.6.3.19 CLASSIQUE CLASS:

The body shell may also be all standard steel Dyane whilst meeting the Regulations stated in 5.6.1.2. Standard 2CV bumpers are to be fitted front (in place of a spoiler) and rear for the Classique class. The front bumper should be made up of the standard bumper bar and the two over-riders in their correct position. Tubular bumpers are not permitted. Bumpers should be fitted with the standard brackets in their standard position.

5.6.3.20 It is permissible to re-paint and/or add stickers and/or a vinyl wrap to the bodywork of the car. Colours are free.

#### 5.6.4 SILHOUETTE:

5.6.4.1 The original silhouette must be maintained except in the areas covered by 5.6.3 and 5.6.4.2 of these Regulations. The silhouette is to be viewed as with all doors, boot lid, bonnet, and all windows in the closed position.

5.6.4.2 The standard roof must be removed and be replaced with a metal roof which must be securely fixed to the body shell and follow the original roofline. The front leading edge may be extended to fit behind the top part of the windscreen sealing rubber.

5.6.4.3 It is permissible to fit the following components to the exterior of the vehicle - a rear rain/fog light, front bonnet strap(s) or fastener(s), rear boot lid strap(s) or fastener(s), marker light(s) and additional front spotlights.

#### 5.6.5 GROUND CLEARANCE:

5.6.5.1 Ground clearance must comply with the requirements of the Motorsport UK NCR. For the purposes of this Regulation the shock absorbers and exhaust are considered to be part of the car and are subject to the same ground clearance (40 mm minimum).

### 5.7 ENGINE: CLUB CLASS

#### 5.7.1 GENERAL ENGINE REGULATIONS:

5.7.1.1 The engine shall be a standard 2 cylinder horizontally opposed air-cooled Citroen unit not exceeding 602cc with an external oil filter, fitted as a standard production item to any Citroen "A" series car. The following technical parameters will be used to define the word standard in the case of protest and will be observed during pre and postrace scrutineering.

- a) Bore - 74.00mm (maximum)
- b) Stroke - 70.00mm (maximum)
- c) Top of barrel to top of barrel 395.50mm (with NO undersize tolerance)
- d) Valve head diameter
- e) Inlet not greater than 40.00mm
- f) Exhaust not greater than 34.00mm
- g) Valve stem diameter - Inlet 8.00mm - Exhaust 8.50mm - The valve stem is defined for the purposes of these Regulations as the part of the valve that is in top 20mm of the valve guide when the valve is closed.
- h) The minimum overall valve length measurement, undersize tolerance of 0.15mm is permitted Inlet 88.00mm – Exhaust 86.45mm
- i) Piston Rings - Two compression, one oil control. The compression rings shall be of one-piece construction. Total seal piston rings are not permissible.

#### 5.7.1.2 CAMSHAFT:



A Classic 2CV Racing camshaft, supplied through one of the two approved suppliers (Kent Performance Cams or Newman Cams), must be used. This may be either a reground standard camshaft or a new camshaft ground from a blank. Camshaft specification is as follows:

Lobes I1, E1		
Lobe Separation	111.2 Cam Degrees	
Checking Height	0.012 Inch	
Valve Overlap	47.3 Crank Degrees	
	<b>Intake</b>	<b>Exhaust</b>
Centreline	111.2° ATDC	111.2° BTDC
Open	22.7° BTDC	68.8° BBDC
Closed	65.9° ABDC	24.7° ATDC
Duration	268.6 Crank Degrees	273.4 Crank Degrees
Area	22.55 Inch Degrees	22.75 Inch Degrees
Lash	0.0000 Inch	0.0000 Inch
Rocker Ratio	1.15	1.15
Peak Cam Lift	0.28414 Inch	0.28749 Inch
Peak Valve Lift	0.32677 Inch	0.33062 Inch
Lift @ TDC	0.0458 Inch	0.0478 Inch

Timing is free.

The fitting of a Vernier or 'Vernier style' adjustable gear wheel is allowed. Modification of the crankcase to allow cam timing adjustment in-situ is allowed.

It is permissible to plug the oilway in the front of the camshaft, to prevent oil pushing out the nose of the cam.

Camshaft tolerances are as follows: Lobe centre angle tolerance must be within  $\pm 1^\circ$  and lift + 0.125mm.

The organisers reserve the right to measure the profile of any camshaft and compare it to a reference camshaft/profile retained by the 2CV Technical Secretary. The details of the findings of any such check will be distributed to the Technical Secretary, Competitor and Scrutineer as well as the information being retained by the organisers.

#### 5.7.1.3 CRANKSHAFT:

The standard 602cc crankshaft may be rebuilt for the purposes of bearing replacement and repair to journals. Any alteration not directly attributable to the re-use, disassembly, reassembly, and subsequent rebalancing of a crankshaft is forbidden. It is not permitted to re-profile or alter the surface finish of the crankshaft or connecting rods in a manner which would improve windage or stress relief.

#### 5.7.1.4 FLYWHEEL:

Two standard types of flywheel are permissible. The heavy (early) type flywheel shall only be used in conjunction with a coil spring clutch. The lighter (later) type flywheel shall only be used in conjunction with a diaphragm type clutch. It is permissible to lighten either standard flywheel by machining.

#### 5.7.1.5 CLUTCH:

It is permissible to use any type of clutch drive plate.

#### 5.7.1.6 BARREL DIMENSIONS:

It is permissible to machine the barrels to obtain the dimension detailed on illustration B. It is permissible to machine the crankcase halves to obtain the dimension detailed on illustration B.

Method for repeatable measurement of barrel dimension:

Step 1: Ensure plates and barrel surfaces are clean.

Step 2: Fit plates and tubes with nuts finger tight

Step 3: Starting with the top front nut, followed by the top rear nut and finally the bottom nut, tighten to 5 lb ft.

Step 4: Follow the above sequence, tightening to ten (10) lb. Ft.

Step 5: The rectangular bar of measurement 395.00 should be inserted then a feeler gauge of 0.5mm must pass between the end of the bar and the plate. It is permissible to fit spacers between the barrel and crankcase to increase either the cylinder head volume or the barrel-to-barrel dimension.

If both dimensions are to be changed, more than one spacer must be fitted.

Any spacer fitted under the barrel, to alter the cylinder head volume, must be removed from the barrel prior to the barrel dimension being measured.

The scrutineer will fit a spacer of equal thickness to the spacer removed from beneath the barrel to the cylinder head prior to the head volume being measured.

If spacers are fitted, their use must be declared before the engine is stripped at the request of the eligibility scrutineer, to check compliance with the Regulations.

#### 5.7.1.7 **CYLINDER HEADS:**

Both removal and/or addition of material in the induction and exhaust ports is permitted.

Any machining of the cylinder head or the barrel must be at 90 degrees to the bore and any machining must be continuous over the whole of the plane of the mating surface of the barrel. It is not permissible to machine a step into either mating surface.

It is permissible to machine the cylinder head mating surface (with the barrel) to reduce the volume of the cylinder head. The minimum cylinder head volume shall be 57.0 cubic centimetres with inlet and exhaust valves and spark plug fitted. When checking the volume, the cylinder head shall be fitted with a spark plug of recognised make and type for the Citroen 2CV, using one standard plug washer.

It is permissible to fit spacers between the barrel and cylinder head to increase the cylinder head volume. The spacers shall have a minimum internal diameter of 74.0mm + 0.25mm.

#### 5.7.1.8 **CYLINDER HEAD STUDS:**

It is permissible to substitute standard Citroen block to cylinder head studs with suitable alternatives to a specification agreed with and supplied by ECAS 2cv Parts Limited and being upper stud 239.50mm +/- 0.25mm lower stud 210.50mm +/- 0.25mm threaded M8 x 1.25 bottom end threaded M9x1.25 top end. rod diameter 7.6mm +/- 0.25mm.

#### 5.7.1.9 **VALVE GEAR:**

It is permissible to remove material from the valve seats. The valve face angles shall remain standard (120 deg inlet, 90 deg exhaust).

It is permissible to remove material from the valve guides.

It is permissible to alter the profile of the valve head, but the valve seat angles must remain std (120 deg inlet, 90-degree exhaust).

The profile at the valve end of the rocker is free. The ratio between the rocker shaft and the pushrod cup must remain standard.

#### 5.7.1.10 **PISTONS:**

Any club approved piston used must have the original compression ratio marks clearly visible on the crown. Note for clarity, the Argentinian pistons do not have a compression ratio mark, therefore any piston declared by the Competitor as 'Argentinian' may be checked against a reference sample held by the C2CVRC / scrutineer.

#### 5.7.1.11 **LUBRICATION SYSTEM:**

It is permissible to fit flexible crankcase to cylinder head oil feed pipes.

It is permissible to repair/modify the oil feed/return legs on a standard oil cooler. The oil cooler must remain in its standard intended position.

#### 5.7.1.12 **ENGINE INSPECTION SEAL:**

It is compulsory that the crank case halves have a bolt with a hole drilled across its diameter fitted, capable of having a scrutineer's wire seal fitted (see illustration D). It is compulsory to drill a hole through the two nuts or bolts

holding the inlet manifold to the cylinder head on at least one side of the engine, capable of having a scrutineer's wire seal fitted.

#### 5.7.2 **PROHIBITED MODIFICATIONS:**

With the exception of the items detailed in 5.7.1 it is expressly forbidden to machine, mill, grind, polish, weld, modify or otherwise adapt parts to achieve the stated parameters, or for any other reason, including surface finishing.

It is expressly forbidden to fit parts from 425 or 435cc "A" series engines irrespective of whether or not they fit without modification.

#### 5.7.3 **LOCATION:**

The engine shall be located in the manufacturer's original position by the manufacturer's intended method. Tilting of the engine is permitted using a spacer or spacers beneath one front engine mount.

#### 5.7.4 **COOLING SYSTEMS:**

5.7.4.1 The engine cooling system (with the exception of the exhaust heat exchangers) shall remain as standard.

5.7.4.2 If fitted, it is permissible to cut off the brake duct spigots and Dyane induction spigot and also plate the holes.

5.7.4.3 A standard 2CV fan guard shall be bolted to the engine cowling in the manufacturer's intended position. To aid repair of this part, it is permissible to replace the original wire mesh material with that of a similar type. The replacement mesh should be mounted uniformly across the guard and have hole areas no larger than the original. It is permissible to fit spacers up to 12mm long between the fan guard mounting foot and the vertical face of the engine cowling.

5.7.4.4 The standard fan assembly shall be fitted using the crank mounting taper and any M10 bolt and washer and must be driven by the crankshaft.

5.7.4.5 It is permissible to remove material from the fan blades.

5.7.4.6 The fan shall rotate at crankshaft speed at all times.

5.7.4.7 Standard fan backings may be strengthened by plating and welding.

#### 5.7.5 **INDUCTION SYSTEMS:**

5.7.5.1 Only one carburettor shall be fitted. This must be one of the following Solex or Weber downdraft carburettors.

- a) Solex Single Choke Model - venturi size - 28mm
- b) Solex Twin Choke Models - venturi sizes - 21/24mm or 18/26mm
- c) Weber Twin Choke 32/34 DMTL

#### 5.7.5.2 **THE FOLLOWING REGULATIONS APPLY TO BOTH TYPES OF SOLEX CARBURETTOR:**

5.7.5.2.1 Solex carburettors shall be mounted in the manufacturer's intended position on an unmodified production manifold, except it is permissible to enlarge the manifold mounting holes to facilitate fitment.

5.7.5.2.2 It is not permissible to cut and re-weld the manifold.

5.7.5.2.3 It is permissible to re-jet the carburettor, provided that in so doing the alloy body of the carburettor is not modified or altered internally or externally.

5.7.5.2.4 The choke flap and its associated shaft may be removed. The choke cable may be omitted.

5.7.5.2.5 It is permissible to remove one of the floats.

5.7.5.2.6 The vehicle shall be fitted with an effective air filter. Any type, style, size, or shape of air filter is permissible provided the airways are less than 1mm in diameter.

5.7.5.2.7 It is permissible to tilt the carburettor, by machining at an angle, the spacer that is fitted between the carburettor and the intake manifold. It is also permissible to fit two spacers.

5.7.5.2.8 It is not permissible to modify any other component to facilitate fitment and it must not protrude beyond the bodywork of the car.

- 5.7.5.2.9 Mechanical assistance to induction is permitted, using the standard take off points (brake duct spigots and Dyane induction spigot). It is permissible to reduce the length of the spigots. Moving the spigot positions or fabricating new spigots is not permitted.
- 5.7.5.2.10 It is permissible to remove the existing breather tube from the second choke and blank off the hole (from the inside) allowing the float chamber to vent via the existing choke spindle hole, or top of carburettor.
- 5.7.5.2.11 It is permissible to redirect the fuel feed from one float chamber to the other as on early twin choke carburettors.
- 5.7.5.3 THE FOLLOWING REGULATIONS APPLY TO THE WEBER CARBURETTOR:**
- 5.7.5.3.1 This carburettor shall be fitted in the manufacturers intended position.
- 5.7.5.3.2 The manifold may be modified to enable fitment. The manifold centre boss and any adaptor mountings may be machined to match the carb and manifold openings. These adaptors may be fixed by either welding or bolting.
- 5.7.5.3.3 It is permissible to slot the mounting holes in the base of the carburettor in order to facilitate fitment to the standard stud pattern of the manifold.
- 5.7.5.3.4 It is permissible to tilt the carburettor, by machining at an angle, the spacer that is fitted between the carburettor and the intake manifold.
- 5.7.5.3.5 It is permissible to re-jet the carburettor, provided that in so doing the alloy body of the carburettor is not modified or altered internally or externally.
- 5.7.5.3.6 Any air filter may be used with the exception of foam type filters. An adaptor may be fabricated to enable fitment of the filter.
- 5.7.5.3.7 No forced air feed induction systems shall be used either from the engine cowling or any other source.
- 5.7.5.3.8 Only emulsion tubes F22, F25, F30 and F39 standard and unmodified or any combination thereof are permitted.
- 5.7.5.3.9 It is not permitted to make any modifications or additions to the carburettor other than those specified in Regulation 5.7.5.3.
- 5.7.6 EXHAUST SYSTEMS:**
- 5.7.6.1 Any type of exhaust system may be fitted provided that the original manifold is retained.
- 5.7.6.2 The only permissible modification to the manifold assembly is that the exhaust balancer anti-icing hotspot pipes / tubes may be removed and plugged.
- 5.7.6.3 The exhaust gases shall be expelled behind the mid-point of the wheelbase of the vehicle.
- 5.7.6.4 The exhaust system shall comply with Motorsport UK Regulation J5.16.
- 5.7.7 IGNITION SYSTEMS:**
- 5.7.7.1 The manufacturer's ignition system must be retained. It is permissible to reset the ignition points within their normal range of adjustment. Electronic ignition is not permitted other than the Classic 2CV Racing Lumenition system specified below.
- 5.7.7.2 It is permissible to fit a Classic 2CV Racing Lumenition electronic ignition as supplied by the Classic 2CV Racing Club Limited.
- 5.7.7.3 The Eligibility Scrutineer retains the right to exchange the control unit for another held by him during any Event.
- 5.7.7.4 It is permissible to modify or remove the ignition advance weights to enable the ignition cam to be locked in position.
- 5.7.7.5 It is permissible to fit a Classic 2CV Racing Club Limited supplied 'Lumenition' chopper which fits directly on to the cam without the need for points advance weights.
- 5.7.7.6 Any HT lead is permitted.
- 5.7.7.7 Any 14mm commercially available spark plug is permitted.

5.7.7.8 Either the standard coil or an alternative approved by the Classic 2CV Racing Club Limited and obtained through their authorised supplier may be used. The coil can be mounted in any position.

5.7.7.9 It is permissible to use an engine rev limiter.

5.7.7.10 It is permitted to remove the back metal of the points box.

#### 5.7.8 FUEL DELIVERY SYSTEMS:

5.7.8.1 It is permissible to modify the filler cap to comply with CR5.15.4. of these Regulations.

5.7.8.2 It is permissible to install in-line fuel filters, water traps, dry-break connectors, alternative fuel pipe up to 8mm internal diameter and pipe clips.

5.7.8.3 The use of alternative fuel pumps is allowed, electrically operated pumps of Facet or Facet type solid state or posi-flow with a maximum outlet pressure of 5psi may be used. (For reference Facet part numbers 40104 or 60104 meet these criteria)

5.7.8.4 If an electrically operated fuel pump is used it must be fitted in compliance with Motorsport UK NCR requirements

5.7.8.5 It is permissible to remove the original engine driven fuel pump and replace this with a blanking plate

5.7.8.6 It is prohibited to use a regulator or any other device to lower the fuel pressure from a pump of higher than regulated pressure

#### 5.7.9 ENGINE – CLASSIQUE CLASS:

As 5.7.1 to 5.7.8 above except for the following:

- a) Cylinder Heads – Only removal of material is permitted.
- b) either 8.5:1 or 9:1 Pistons must be used.
- c) A standard Citroen camshaft must be used, in compliance with standard Citroen tolerances. No machining of any part is permitted. Vernier gear wheels are not permitted.
- d) A standard Citroen Flywheel must be used, no machining is permitted.
- e) Exhaust must be unmodified. The baffles may be removed from the crossbox, any subsequent welding must only be part of this process.
- f) Carburettor must be a Solex type.

## 5.8 SUSPENSIONS:

### 5.8.1 PERMITTED MODIFICATIONS:

5.8.1.1 The fitting of a Citroen Ami 8 / Super front anti-roll bar (maximum diameter 15mm) is permitted. Ami 8, Ami Super or modified 2CV swinging arm end plates are permitted. The anti-roll bar, if fitted must be mounted vertically in the standard position by the standard method.

5.8.1.2 It is permissible to alter the vehicle ride height beyond the manufacturer's recommended setting but only by adjustment of the suspension tie rods, modifying or substituting the internal components of the suspension cans or by inserting a 10mm steel spacer below the front axle mounting points.

5.8.1.3 At least 5mm of threaded tie rod must remain within the knife edge eye and this must be secured with a locknut.

5.8.1.4 Any type or size of shock absorber may be fitted provided that the standard mounting points are used, and the mounting points are not modified or altered in any way.

5.8.1.5 It is permissible to add additional shock absorber mountings to the Chassis, in order to raise the shock absorber. The centre of the mounting hole must be no less than 89mm from the top of the chassis. The additional shock absorber mounting may also be extended horizontally, parallel to the chassis side, up to a maximum of 60mm from the centre of the original mounting hole. The original mounting point must be retained unmodified.

5.8.1.6 A shock absorber must be fitted to each axle arm.

5.8.1.7 The front rubber bump stops may be removed. The original bump stops may be reduced in height, but alternative bump stops may not be fitted.



- 5.8.1.8 The rear rubber bump stops may be removed, modified, or replaced. Standard, modified, or alternative bump stops shall be mounted in the manufacturer's intended position. It is permissible to weld attachments to the rear suspension arms to modify the contact height of the bump stops.
- 5.8.1.9 It is permissible to modify or restore the king pin inclination by cutting off and rewelding the ends on the suspension arms. Particular attention should be paid to the standard of welding.
- 5.8.1.10 It is permissible to fit an upper spherical bearing to the top of the hub, to provide additional support to the existing kingpin. A bracket may be fitted to the top hub attachments and welded to the steering lever arm; this may form a strengthening web along its length and a further bracket to the suspension arm at the other. Particular attention shall be paid to alignment and the standard of welding.
- 5.8.1.11 The camber on the front wheels is free.
- 5.8.1.12 Standard spring tubes must be fitted (see illustration C). It is permissible to cut open the spring tubes and substitute or modify the internal components. Spring tubes with modified or alternative internal components shall have the standard ends welded back on in the manufacturer's intended position.
- 5.8.1.13 It is permissible to replace the rubber doughnuts and solidly mount the spring cans.
- 5.8.1.14 It is permissible to modify or alter the camber on the rear wheels.
- 5.8.1.15 The camber on the rear wheels is Free.
- 5.8.1.16 It is permissible to strengthen the rear suspension arms.
- 5.8.1.17 It is permissible to install stops to prevent the rear suspension arms dropping when the rear of the car is jacked off the ground to change wheels.
- 5.8.1.18 It is not permitted to fit shock absorber remote reservoirs inside the car.
- 5.8.1.19 it is permissible to remove the spacers between suspension axle tubes and the chassis
- 5.8.2 **PROHIBITED MODIFICATIONS:**
- 5.8.2.1 It is not permissible to alter the length, diameter or mounting position of the spring tubes.
- 5.8.2.2 The tie rods must remain standard Citroen A series or Ami Super items.
- 5.8.2.3 The tie rod mountings must remain as standard.
- 5.8.3 **WHEELBASE / TRACK:**
- The suspension system shall be standard production Citroen 2CV6 utilising telescopic shock absorbers.
- 5.8.4 **SUSPENSIONS – CLASSIQUE CLASS:**
- The only shock absorbers permitted, other than standard, are supplied either through Avo UK Ltd or Gaz Shocks Ltd.
- 5.9 **TRANSMISSIONS:**
- The transmission (i.e., clutch, gearbox, drive shafts) must be housed (in the case of clutch and gear train) within a standard Citroen alloy gearbox and bell housing mounted behind the engine in the manufacturer's intended position. There shall be four forward and one reverse gear, all of which shall be in a fully operable condition. Only the use of 2CV6 gearboxes is permitted as detailed in 3 below.
- 5.9.1 **PERMITTED MODIFICATIONS:**
- 5.9.1.1 It is permissible to extend the gear change lever to allow 4th and reverse gears to be engaged whilst strapped in the driving position.
- 5.9.1.2 The gear change must remain in the manufacturers intended position.
- 5.9.1.3 The two slots in the rear gearbox mounting may be closed (e.g., with welded washers).
- 5.9.1.4 The gear train from a drum broken gearbox may be transferred to a disc broken gearbox, provided that the gear train complies with 5.9.3 below.
- 5.9.1.5 It is permissible to strengthen the gear change linkage and substitute an alternative assembly for the standard rubber bushes; this must be mounted in the manufacturers' original and unmodified position.

5.9.1.6 It is permissible to drill the gearbox casing to fit a breather.

**5.9.2 PROHIBITED MODIFICATIONS:**

It is not permissible to intermix ratios.

**5.9.3 TRANSMISSION AND DRIVE RATIOS:**

1st	5.202 (19/25 X 14/31 X 14/25 = 0.0465)
2nd	2.656 (19/25 X 23/26 X 14/25 = 0.3764)
3rd	1.785 (14/25 = 0.5600)
4th	1.315 (19/25 = 0.7600)
Rev	as first gear
Final Drive	4.125 (8/33)

**5.10 ELECTRICS:**

The standard 2CV electrical system shall be retained. It is permissible to modify or replace the wiring loom. The fitting of additional instrumentation and switches is also permitted.

**5.10.1 EXTERIOR LIGHTING:**

5.10.1.1 It is permissible to modify the vertical members of the lighting bar to aid quick removal. A horizontal support bar of 15mm max dia and 1mm wall thickness may be fitted to aid fitting and removal.

5.10.1.2 Rear lights and brake lights shall be operable.

5.10.1.3 A high level rear brake light must be fitted in the rear window.

5.10.1.4 It is permissible to use replica plastic headlamp and indicator lenses that have been approved by the Eligibility Scrutineer.

5.10.1.5 Rear indicators must be fitted and working.

5.10.1.6 A 5-watt tell-tale shall be fitted and working on the instrument panel. It is permissible to fit additional rear indicators to the boot lid.

5.10.1.7 It is permitted to remove the rear light cluster spacer.

5.10.1.8 It is permitted to remove the front wing indicators and blank off the hole in a permanent manner, providing it is finished neatly to the profile of the wing.

**5.10.2 REAR FOG LIGHTS:**

A rear fog light shall be fitted.

**5.10.3 BATTERIES:**

The 12-volt battery may be of any size or shape provided it is fitted in the standard position on the bulkhead. The battery and voltage regulator must be firmly secured.

**5.10.4 GENERATORS:**

5.10.4.1 A functioning alternator or dynamo must be fitted. It is permissible to fit a switch in the field circuit wiring. It is permissible to fit a non-standard alternator or dynamo. Freewheeling devices are prohibited.

5.10.4.2 The alternator pulley guard shall have a 25mm diameter hole cut in it to facilitate easy checking of the belt tension.

5.10.4.3 The alternator belt should have sufficient tension to make the alternator function.

5.10.4.4 It is permitted to modify the tensioner arm to allow non-standard alternators to be used.

**5.10.5 WINDSCREEN WIPERS:**

5.10.5.1 It is permissible to remove one windscreen wiper arm and blade.

5.10.5.2 It is permissible to modify the windscreen wiper mechanism, retaining the standard motor, to allow single blade operation.

5.10.5.3 An operable windscreen washing system shall be fitted. The washer jet may be moved from the manufacturers intended position. The original windscreen washer reservoir bottle maybe substituted for that of another type or design.

## **5.11 BRAKES:**

5.11.1 Brake pad / lining material is free from restriction. If fitted, front brake discs must be at least 4mm thick.

5.11.2 It is permissible to replace the brake pipes with flexible pipes.

5.11.3 The braking system shall be a standard Citroen 2CV6 drum/drum or disc/drum system which must operate on all four wheels.

5.11.4 The original handbrake lever may be retained in its standard position (if able to be operated by the Driver). It may be extended if necessary. An alternative ratchet style hand brake lever may be fitted, and it shall be located on the floor of the car next to the seat so as to be able to be operated by the Driver whilst fully strapped into the vehicle.

The handbrake lever if fitted, must operate the OEM mechanisms on both front callipers. Alternatively, the removal of the redundant handbrake lever, cables, and gearbox mechanisms if not used is permitted.

5.11.5 It is permissible to fit heat sinks to the brake callipers.

## **5.12 WHEELS/STEERING:**

5.12.1 A universal steering joint shall be fitted at the base of the steering column. A maximum of two universal joints may be used. The steering column must be mounted using the original mounting points. Additional supports may be added.

5.12.2 It is permissible to use any track rod adjuster that uses the existing threaded ends of the track rods and the track rod end housing.

5.12.3 It is permitted to reinforce the track rods by sleeving.

5.12.4 It is permissible to fit an additional clamp on the track rod adjuster sleeves and weld the pivot arms to the hub assemblies.

5.12.5 It is permitted to fit a non-standard steering wheel. Quick release steering wheels are allowed.

5.12.6 Wheel spacers are not permitted.

5.12.7 The wheels shall be standard production 4J x 15 steel items from the Citroen A series range, or from the Citroen Ami Super. It is permissible to weld the inside seam where the inner wheel centre joins the outer wheel rim.

5.12.8 It is permitted to replace each standard track rod with a straight bar, threaded one end to fit the standard track rod adjuster or approved 2CVRC solid adjuster and fitted with a female rose joint on the other. A piece of steel angle is fastened to the normal track rod mounting cones protruding from the rack to lock them together. The track rods are attached to the angle by a bolt securing the rose joint to the horizontal face of the steel angle.

## **5.13 TYRES:**

### **5.13.1 SPECIFICATIONS:**

The only permitted size is, 135 X 15.

Remoulds are prohibited.

All tyres shall have a tread depth of at least 1.00mm across 75% of the tread when the car is presented at pre-race scrutineering and in the forming up area before racing.

### **5.13.2 NOMINATED MANUFACTURER:**

All tyres used in practice and competition shall be Toyo 310. All Tyres shall be of a production compound.

## **5.14 WEIGHTS:**

Cars shall have a minimum weight of 665kg, inclusive of Driver at all times during and at completion of qualifying and racing.

## **5.15 FUEL TANK/FUEL:**

### **5.15.1 TYPES:**

5.15.1.1 The fuel tank shall be a Citroen 2CV6 standard production item (metal or plastic) with a maximum capacity of 25 litres.

5.15.1.2 It is permissible to fit a vent to the fuel filler neck to enable compliance with Motorsport UK NCR Ch.7, App.4 Art.1 and 2

5.15.1.3 Alternative sender units or modifications to the tank are not permitted. Extensions to the pickup tube are allowed.

5.15.1.4 It is permissible to fit the club supplied enduro filling neck and cap. The cap shall be fitted to the body by a flexible tether.

### **5.15.2 LOCATIONS:**

The fuel tank shall be located in the manufacturer's intended position between the chassis arms at the rear of the vehicle.

### **5.15.3 FUEL:**

Permitted fuel shall be used as NCR Ch.8. App1 Art.1.7a defined as petrol.

### **5.15.4 FILLER CAP:**

A filler cap shall be fitted that complies with Ch7. App.4 Art.2 . of the Motorsport UK NCR

## **5.16 SILENCING:**

All cars must comply with Motorsport UK NCR Ch.7, App.8, Art.2. It is the Competitor's responsibility to ensure that the exhaust system meets the required silencing standards for the competitions for which it is entered.

## **5.17 NUMBERS/DECALS:**

### **5.17.1 POSITIONS:**

5.17.1.1 To be eligible to score points in this Championship all vehicles must carry a BARC Shield on each side in an unobscured position when viewed from a direct side elevation (assuming decals are available at the meeting signing-on). Failure to have these in place at scrutineering will render the car ineligible.

5.17.1.2 Race numbers backgrounds shall be located in the intended orientation on the front doors and bonnet (or front facing part of the roof) as required by Ch7 App10 of the Motorsport UK NCR.

5.17.1.3 Competitors shall be required to locate, unmodified and in the intended orientation the decals of the Classic 2CV Racing any Championship sponsor and associates on the cars, in positions to be notified.

### **5.17.2 SUPPLIERS:**

Decals for above and below the race number background for the front doors shall be obtained by Competitors through the Classic 2CV Racing Club Limited.

### **5.17.3 DRIVER IDENTIFICATION:**

All Competitors should display their name in both rear passenger windows of the car using white vinyl lettering. Preferred typeface is Arial, first letter uppercase, at least 5cm high, following letters to be lowercase.

## **5.18 MISCELLANEOUS:**

5.18.1 In addition to NCR Ch.12.App.13, Art.1.3, it is strongly recommended that all cars must, wherever possible, be equipped with two front and two rear towing eyes positioned equally either side of the longitudinal centreline. They must be clearly visible, marked with an arrow and the word "tow" and the wire painted in yellow, red, or orange to contrast with the vehicle colour scheme.

The towing eyes must be made of at least 6mm diameter steel wire rope with a 6x19 wire core, each which must have a breaking strain of at least 2 tons. Each towing eye must allow the passage of a cylinder with a diameter of 60 mm, situated 25mm forward of the adjacent bodywork - 100 mm above and below this hole must retain clearance to enable the recovery crews to attach straps and shackles.

The towing eye must be fixed to a structural part of the chassis with a minimum of M12 fixings, the inner part must be flexible in order for the towing eye to be retracted inside the bodywork profile. A "pull-cord" must be attached

to the towing eye to enable the marshals to access the wire loop. The end attached to the chassis may be either 'thimble' or 'open-loop' style.

- 5.18.2 When vehicles are running outside of the Championship, in Events such as the Spa race, they may make use of the "UK Hybrid Class Regulations" which are available from the Classic 2CV Racing Club and which can be found on our website at <https://www.2cvracing.org.uk/joinus>

## 6. SPECIFIC REGULATIONS – 24 HOUR EVENT:

### 6.1 GENERAL REGULATIONS:

The following Regulations are applicable to all cars and Competitors.

#### 6.1.1 APPLICABILITY AND REFERENCE TO OTHER REGULATIONS:

These Regulations apply to the 2CV 24 Hour Endurance Race. They are supplemental to:

- a) Classic 2CV Racing Championship Regulations (UK Classique and Club Classes Only)
- b) Règlement Sportif La 2CV Cup (Euro 2CV only)
- c) Circuit 2CV Règlement Technique (Euro 2CV Only)

#### 6.1.2 DEFINITIONS:

The term 'Organisers' means the BARC: The British Automobile Racing Club

#### 6.1.3 ENTRIES:

The Organisers reserve the right to invite applications for entry from Competitors and refuse entries without explanation. In the event that the entries are oversubscribed priority will be given to fully completed entries in the order that they paid their deposit.

#### 6.1.4 DECALS:

The Organisers reserve the right to place three decals from the race sponsors on each car within the Event. The location of these will be with the agreement of the Competitor concerned but in the event of a lack of agreement the Organiser's decision will be final.

#### 6.1.5 QUALIFYING:

There will be two qualifying sessions on Friday evening which will both be timed with the timings used to establish the grid positions. All Drivers must complete at least three laps during the "night" session in order to qualify for a position on the grid. Starting positions will be determined by the fastest single lap recorded in qualifying by the car concerned.

#### 6.1.6 BRIEFINGS:

A briefing for all Drivers who are either new to the circuit or new to night racing will take place on Friday at a time and place which will be advised to all Competitors at sign-on. In addition, there will be a mandatory Entrants and Drivers briefing, at 9.30 on Saturday, the location of which will be again advised at sign-on. Team managers must then brief their crew members on issues raised within their briefing as they are responsible for all actions of team members. There will also be a mandatory training session regarding fire / fuelling safety, details of which will be advised at sign-on, at least one member per team must attend.

#### 6.1.7 DRIVER NOMINATIONS:

The Secretary of the Meeting must be informed of the order in which Drivers will go out to qualify during the night practice session by 19:00 on Friday. In addition, he must be informed of the Driver due to start the race at least 2 hours before the start of the race.

#### 6.1.8 DRIVING TIME:

During the race, no Driver may drive for longer than three hours continuously and must rest for at least one hour between driving stints. No Driver may drive for longer than fourteen hours in total. "Driving" will be deemed to include any time spent in the pits when a Driver brings a car in and then re-joins the race.

#### 6.1.9 TIMING:

All cars must be fitted with the Competitor's own transponder, appropriate to the timing system being used and fitted in a manner approved by Timing Solutions Limited. The Transponder specification is TranX260. Transponders are no longer available to hire.

Timing feeds will be available on the pit wall and within the garages with printed timings being available every two hours during the Event.

#### 6.1.10 COMPETITION NUMBERS:

Competitors are responsible for ensuring that their cars carry their allocated race number on each front door and on the nearside of the bonnet, between the front grille and top bonnet hinge or the front facing part of the roof, facing the time-keepers box on the Drivers left and these numbers must be of the standard laid down by the Motorsport UK. The car number should also be prominently displayed in the nearside rear quarter-light in numbers at least 150mm high. If numbers become obscured or difficult to read the car concerned may be shown the black signal to enter the pit lane and rectify the problem.

The fitting of reflective door number panels supplied through the Classic 2CV Racing Club Limited is compulsory and all numbers must be in place at scrutineering.

#### 6.1.11 NOISE TESTING:

- a) All cars must undertake and pass noise testing prior to going onto the circuit. Cars must therefore be taken to the assembly area between 18:30 and 19:30 on Friday so that noise tests may be carried out in the designated test area. Having passed the test cars will then be released into the pit lane prior to the start of the qualifying session. Failures must be rectified before being given access to the circuit.
- b) Noise will be monitored during the Event and any car deemed to be too noisy on circuit will be shown the black signal and brought to the pits to rectify the situation to the scrutineer's satisfaction which may mean they are required to undertake a further noise test.

#### 6.1.12 SIGNALS AND LIGHTS:

During the hours of darkness, the yellow and red signal signals will be replaced with light signals. During the hours of darkness cars must have their lights illuminated at all times unless the car is stationary in the pits. The Clerk of the Course will determine the commencement and end of the hours of darkness and a "lights on" board will be displayed at the line indicating that lights must be switched on. Lights must remain on until the "lights off" board is displayed at dawn.

#### 6.1.13 SAFETY CAR:

The safety car will be brought into operation to neutralise the race on the instructions of the Clerk of the Course. When the order is given all marshals posts will display yellow signals, which will be maintained until the safety car intervention is over. The safety car with its revolving orange lights operating will join the circuit regardless of the position of the leader and will ~~endeavour to~~ pick up the leader. Cars between the safety car and the leader may be waved past, one at a time, when safe to do so until the leader is at the head of the train. In the event that the race leader pits during the safety car period it may be necessary for the car on circuit directly behind the leader to take over at the head of the train prior to a restart. All competing cars must catch and line up behind the safety car no more than 5 car lengths apart, as soon as safely practical to do so and then maintain station at the same speed as the safety car. Overtaking of the safety car or any other competing car is forbidden unless signalled to do so by the safety car observer, this signal will be via a green light during the hours of darkness. While the safety car is in operation competing cars may stop in their pits but may only re-join the race after the last car in the train behind the safety car passes the pit exit. When the safety car is withdrawn Competitors may not overtake each other until they have passed the green signal at the start-line.

#### 6.1.14 STOPPING THE RACE:

In the event of a serious incident or severe adverse weather conditions it may be necessary to stop the race. This will be effected by the showing of red signals or lights. Competitors must slow down, must not overtake, complete the lap they are on and stop on the grid. Parc Fermé conditions will apply and Competitors are reminded that no team personnel are allowed onto the grid. Any car in the pit lane at the showing of the red signal must remain where it is and all work on cars must cease unless specifically authorised by the Clerk of the Course. When the race is restarted the duration of the restarted race will be specified by the Clerk of the Course and the two (or more) parts of the race will be combined to produce an aggregate result. It is not permitted to change Drivers during the course of the stoppage unless specifically authorised by the Clerk of the Course. The period of time that the race is stopped will count towards the driving times of the Drivers in question. Under these conditions the Clerk of the Course may revise certain driving time criteria for individual Drivers.

#### 6.1.15 TOW BACK:

Cars that stop on circuit may only be worked on by the Driver alone using only the tools carried in the car. However, cars may be towed back to the pits by the Organisers, if requested by the Driver to do so, where they may be worked on as required. Tow backs may be prioritised by the Organisers, at their sole discretion, after if necessary, consulting

the Clerk of the Course as they occur for the overall good of the Event or they may decide to refuse a tow back if the car is too badly damaged or too difficult to move. Cars towed back will be subject to a three-lap penalty which will be subtracted from the total completed up to that time. All cars will be towed back to the pit lane. These tow back rules will only apply up until the final hour of the race when the Organisers will only tow cars to the nearest place of safety.

#### 6.1.16 **PIT PROCEDURE:**

- a) A pit allocation will be provided by the Organisers but as there is limited space within the pit lane teams must show every consideration to those around them at all times.
- b) A space at the back of the garages, as determined by the Organisers, may be used for storage in order to give more space within the garages themselves. However, the fire lane must remain unobstructed at all times during the Event.
- c) All work including refuelling must be undertaken on the garage side of the yellow hatched area in the pit lane.
- d) It is not permitted to drive a car in the pit lane by using reverse gear at any time under any circumstances.
- e) Push starting is only permitted if it is clearly under the control and supervision of the pit lane marshals.
- f) Only three people from each car (excluding the Drivers) may cross the pit lane to undertake signalling. No structures or umbrellas may be used on the pit wall, but rain screens are permitted provided that they do not project above or beyond the pit handrail.
- g) Team managers are responsible for notifying the pit office of all Driver changes during the Event with the slip provided as soon as the stop is completed.
- h) There is a pit lane speed limit of 60kph at all times during the Event. Speeds may be monitored during the Event by the use of a radar gun. It is the Driver's sole responsibility to ensure that his/her car does not exceed 60kph.
- i) It is recommended that all personnel wear a high visibility jacket or vest.
- j) Mobile telephones are a safety hazard and hence must not be used in the pit lane or pit wall at any time during the Event.
- k) All "hot" work i.e., welding, grinding must be done inside the garage with a suitable fire extinguisher to hand.
- l) A maximum of 4 people may work on the car at any one point in time during a pit stop. Working on the car is defined as any person touching the car.

#### 6.1.17 **REFUELLING:**

- a) Re-fuelling must be carried out using a Motorsport UK compliant system. For all UK Championship cars, it is mandatory that an unmodified (save as to the length of the breather tube below) Classic 2CV Racing Club Limited supplied "Tuff Jug" model number TJ1 or its successor, clearly marked by the manufacturer (Fair Trails Enterprises or its successors), modified filler neck and cap is the only system used. The breather tube inside the Tuff Jug shall be at least 60cm in length. The filler cap shall be securely in place at any time the car is on the circuit, failure to ensure this could result in the car being shown the black signal. There is strictly no decanting of fuel from one container to another at any time. Random inspections to ensure compliance will take place.
- b) Tuff Jugs shall have the car number that they are used with clearly identified on both sides of the jug in numerals not less than 100mm high.

'2CV Club, 2CV Classique, 2CV Euro' entries may use a maximum of two refuelling jugs per pit stop. To be used consecutively and in the same function, manner, design and type, and in accordance with regulations laid out in herein.

All Euro Hybrid (BMW engine) cars must comply with their Regulations. Règlement Sportif La 2CV Cup / Circuit 2CV Règlement Technique.

All 'Mini Grande' cars must comply with 2.2.10.c in the Specific 'Mini Grande' regulations herein.



Any Other invited classes will be subject to Motorsport UK complaint refuelling or in accordance with their own regulations and may be subject to additional regulations as published In the Event specific 'Final Instructions'.

- c) Fuel must only be drawn from the filling station nominated by the Organisers in advance of the Event and advised by official bulletin. All fuel must be drawn using procedures laid out and provided during the mandatory training session details of which will be promulgated at the Event. Each team must supply a two-wheel sack truck (or similar) with adequate strapping to secure the Tuff Jugs to transport fuel from the filling station to the pits.
- d) During refuelling the engine must be turned off and the Driver must vacate the car. No work may be carried out on the car rearwards of the engine bay firewall except that two people with both feet on the ground may work inside the car.
- e) Refuelling may not be used in such a way as to increase the fuel flow rate over that engendered by gravity and non-assisted airflow. The Organisers reserve the right to instruct the team to modify their refuelling procedures and failure to comply with such instruction may lead to disqualification from the Event.
- f) The team member who actually refuels the car during a pit stop must wear fireproof overalls, gloves, and balaclava. In addition, a fire extinguisher must be adjacent to another team member also dressed in fireproof overalls, gloves, and balaclava during the refuelling process in case it is needed to be used.
- g) A maximum of four people may work on the car at any time.
- h) All Competitors should note that smoking is not permitted in the garages, pit lane or on the pit wall at any time during the Event. This rule also applies to electronic cigarettes. All team members and guests must be made aware of this restriction and failure to comply will lead to immediate disqualification for the car concerned.
- i) Each team must provide a suitable fire extinguisher.

#### 6.1.18 **RADIOS:**

With the exception of the guest classes, it is forbidden for any team to set up any kind of radio, electronic or electrical system by which they can communicate with the Driver whilst he/she is in the car or between team members at any stage during the Event. Officials will be actively looking for anyone thought to be in breach of this Regulation, and anyone found doing so will be reported to the Clerk of the Course. Any guest Competitor using a radio must do so in accordance with Motorsport UK NCR Ch.12 App.4 Art.4.12.

#### 6.1.19 **EVENT PENALTIES:**

The Clerk of the Course may impose "drive through" or "stop/go" penalties for breaches of the sporting Regulations of the Event and specific relevant sections of the Motorsport UK NCR. These penalties do not carry penalty points against the Driver's licence.

Driver changes, refuelling and any other work is not permitted during such a penalty.

#### 6.1.20 **CLASSIFICATION:**

To be a classified finisher the competing car must either cross the finish line within five minutes of the chequered signal being displayed for the end of the race and have completed 25% of the distance covered by the winner of their class, or if not running at the time of showing of the chequered signal the car must have completed 80% of the distance covered by the winner in order to be classified.

#### 6.1.21 **PARC FERME:**

Parc Fermé is located at the entry end of the pit lane next to the assembly area. Cars will remain there for a minimum of 30 minutes or until released by the Clerk of the Course.

#### 6.1.22 **ADDITIONAL INSTRUCTIONS:**

Any additional instruction relating to the Event will be published by official race meeting bulletin which will be posted on the official notice board and circulated to all registered Competitors.

## 6.2 ELIGIBLE CARS:

All cars must comply with the Classic 2CV Racing Classic 2CV Racing Championship Regulations (or counterpart EURO Regulations) and any additional Regulations applicable to the Event, copies of which can be found on the BARC website. Any bulletins issued prior to the Event will be available at signing-on.

### 6.2.1 ELIGIBLE DRIVERS:

All Drivers must comply with the Classic 2CV Racing Classic 2CV Racing Championship Regulations in order to be eligible to gain championship points. Competitors who fail to produce valid documentation at signing-on may be prevented from taking part in qualifying or racing.

Each car must have a minimum of three and maximum of five Drivers for the Event. No Driver may drive more than one car per class and no more than two cars overall in the race, however a Driver may qualify more than one car during official qualifying but prior to the start of the race must nominate which car they intend to drive in the race. A Driver's qualifying time will only count for the car that he/she nominates to race, and any change of Driver line-up must be approved by the Clerk of the Course at least 30 minutes before the start of any session.

Championship points will be awarded for the finishing positions in the UK class.

## 6.3 RACE START:

The race will be started by means of a rolling start using the following procedure and audible warning sequence.

SIGNAL	INSTRUCTION
<b>1 Minute</b>	Start engines and clear the grid
<b>30 Seconds</b>	Be prepared for start of the Green Signal Lap
<b>Green Signal</b>	Complete one lap of the circuit forming into grid order prior to the final corner of the circuit
<b>Red Lights ON</b>	Maintain grid position
<b>Red Lights Off</b>	Race Start

Cars still in the pits when the pit lane closes or taken to the pits prior to the start may join the race from the pit lane after the last car has crossed the start line after the start of race signal is given.

## 6.4 TECHNICAL:

### 6.4.1 ADDITIONAL SCRUTINEERING:

Tuff Jugs containing approximately 5 litres must be taken along with the car for scrutineering (UK classes only)

The Organisers reserve the right to select any car for additional eligibility scrutineering on the morning of the race in accordance with Championship Regulations. Any failure to comply with the technical Regulations during this scrutineering process may result in the car not being allowed to start the race or being allowed to start under certain conditions that the Clerk of the Course may in his sole discretion see fit to determine, such as by imposition of a weight penalty. A minimum of two hours before the start of the race will be allowed to reassemble any components that may previously have been stripped during this process.

### 6.4.2 VEHICLE LIGHTS:

#### 6.4.2.1 ADDITIONAL DRIVING LAMPS:

A maximum of two additional driving lamps are allowed per car and they may only be fixed to the existing lamp bar or the bodywork below the light bar.

#### 6.4.2.2 MANDATORY WORKING LIGHTS:

During the hours of darkness all cars must have the following light in working order. Two forward facing white headlamps, two side door competition number lights (white facing downward on top of each number, able to clearly illuminate the numbers in the dark), two rear-facing taillights and three working brake lights, all of which must be deemed satisfactory by the eligibility scrutineer. Any car failing to comply with the above may be ordered into the pits and not allowed to continue until it does comply.

#### 6.4.2.3 PROHIBITED LIGHTING ARRANGEMENTS:

No car may show any red light to the front. No car may show any white light to the rear.

It is prohibited to use any form of flashing light, with the exception of indicators.

It is not permitted for any car to run with identification lights which are either red or yellow in colour, which could be confused with a flag or light signals.

#### 6.4.2.4 **ADDITIONAL LIGHTING:**

It is permissible to fit additional front and rear lights providing they are a self-contained unit (light and battery combined) powered by a small low voltage battery.

#### 6.4.2.5 **ORIGINAL HEADLIGHTS:**

It is permissible to fit non-standard headlight units inside the standard 2CV headlight bowl. The headlight must not protrude more than 20mm from the front of the bowl. The headlight unit must not have a diameter larger than a standard Cibie 2CV headlight unit including the fitting ring.

#### 6.4.3 **CLEAR VIEW:**

It is prohibited to completely obscure the view through the car from front to rear by the addition of strips of tape or similar. In the event of dispute as to compliance with the Regulation the decision of the Chief Scrutineer shall be final.

#### 6.4.4 **SECURE PANELS:**

Cars should have all body panels securely in place throughout the Event. In the event of damage occurring to any panel the scrutineer may decide to ask that the car is shown the black signal and brought into the pits to rectify the situation to their satisfaction.

#### 6.4.5 **VEHICLE WEIGHT:**

All cars must comply with Motorsport UK and Championship Regulations at all times during the Event (Motorsport UK NCR Ch.7. App.2 Art.19). Any additional weight needed must be in place for scrutineering and its method of securing will be checked for compliance of Motorsport UK NCR by the safety scrutineer. It is permitted to add and remove weight for varying Drivers during a pit stop.

Toolboxes, jacks, and spare wheels are permitted only when safely secured and specifically approved by the safety scrutineer.

Cars may be weighed at any time during the Event at the discretion of the Clerk of the Course.

#### 6.5 **PODIUM PRESENTATION:**

The podium presentation, as well as the race, will be broadcast live on the club website. All Drivers to be presented with trophies are requested to wear their race suits and pit crew in clean team attire.

## 7. APPENDICES TECHNICAL

The following Commercial Regulations are “contractual” between the Entrant and / or Driver and the Organisers and / or Promoters and are not considered by Motorsport UK. Accordingly, the application of these Commercial Regulations by the Organisers and / or Promoters will not be subject to the Judicial processes of either the Championship Stewards and / or the Motorsport UK / MSC.

### 7.1 RACE ORGANISING CLUBS AND CONTACTS:

BARC, Thruxton Circuit, Andover, Hampshire. SP11 8PN

Tel: 01264 882200

Fax: 01264 882233

E-mail: [competitions@barc.net](mailto:competitions@barc.net)

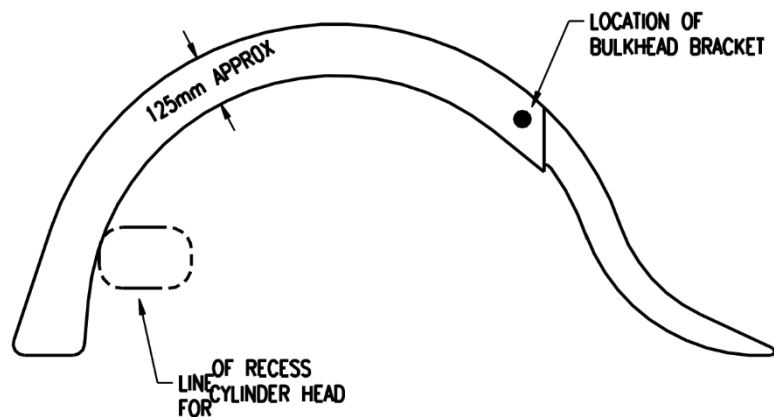
Drivers Representative:

Name: George Broadhurst

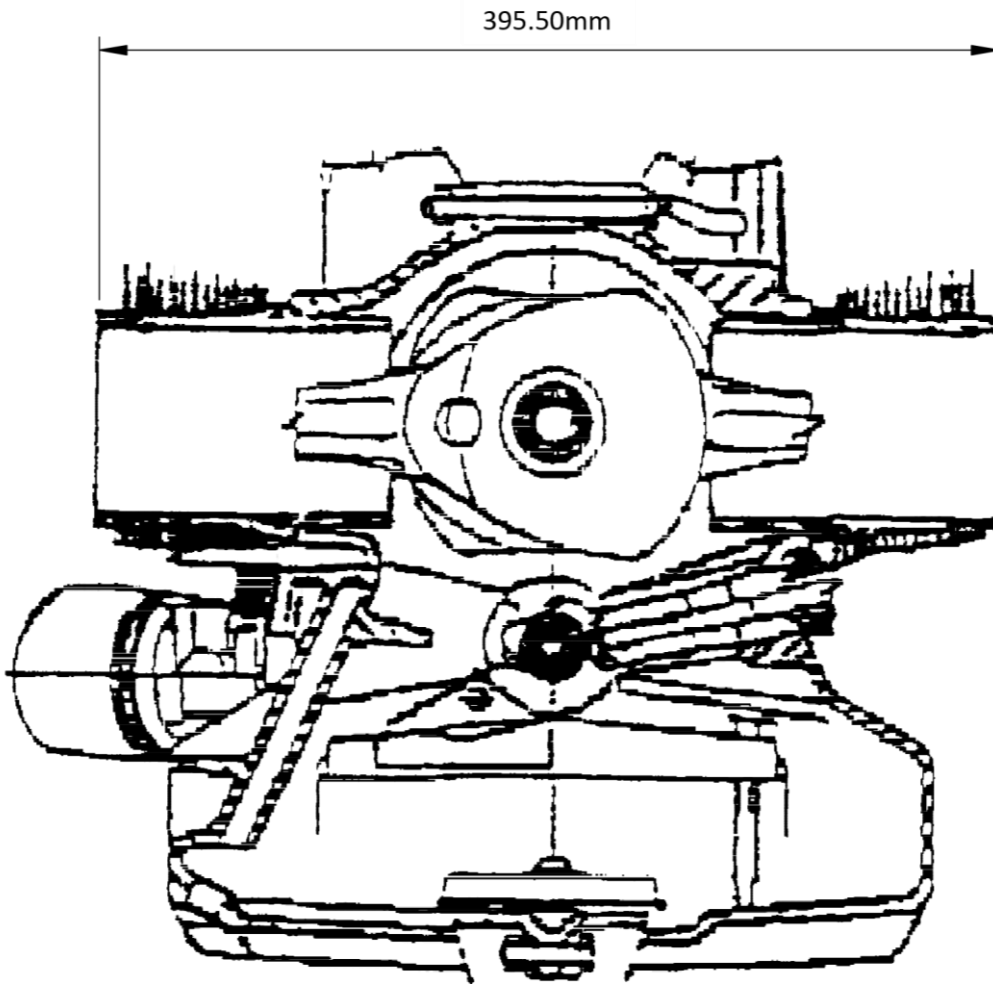
Classic 2CV Racing: [membership@2cvracing.org.uk](mailto:membership@2cvracing.org.uk)

### 7.2 DRAWINGS:

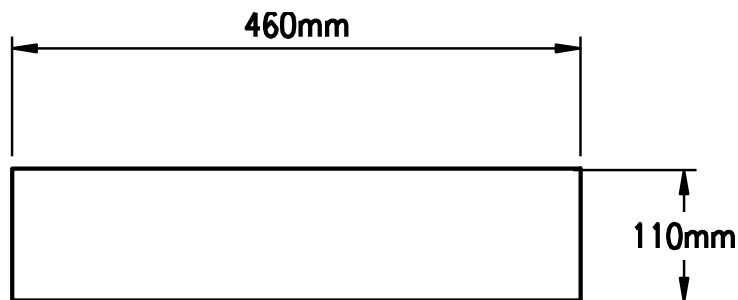
#### ILLUSTRATION A:



**ILLUSTRATION B:**

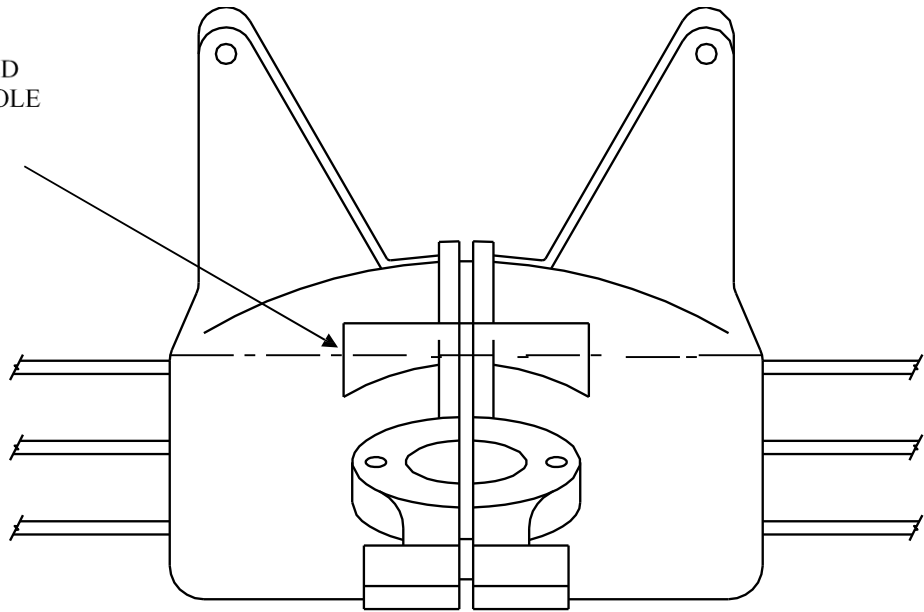


**ILLUSTRATION C:**



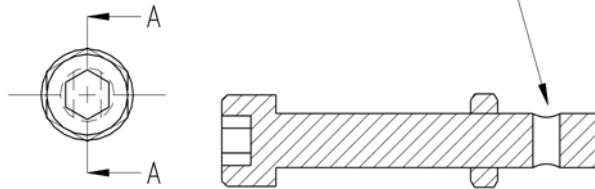
**ILLUSTRATION D:**

BOLT TO BE FITTED  
THROUGH THIS HOLE



SCRUTINEERS SEAL TO BE

FITTED THROUGH HERE



CROSS SECTION A-A

### 7.3 CHAMPIONSHIP GRAPHICS:

The organisers have the authority to designate areas of bodywork on all cars registered for or competing in rounds of this Championship as the 'property of the organisers'. These areas which are designated are to be available to the Club for the display of graphics supplied by the Club appertaining to sponsorship of the Club for the Championship or specific races. These areas are:

- a) An area on the front of the bonnet above the grille
- b) The area below the A panels (car body)
- c) A part of the front doors including above and below the number backgrounds.
- d) Front windscreen
- e) No advertising is permitted on rear screen / side windows as per Motorsport UK NCR.
- f) Front spoiler.
- g) Area of body shell above both side doors, size to be advised.

An illustration showing all areas for Championship graphics will be provided as necessary and failure to display designated graphics will contravene these Regulations.

# 2024 Classic 2CV RacingClassic 2CV Racing CHAMPIONSHIP

ENTRY VIA THE CLUB WEBSITE [www.2cvracing.org.uk](http://www.2cvracing.org.uk)

8. REGISTRATION FORM			
NAME OF DRIVER:			
ADDRESS:			
POSTCODE:			
TEL (DAY):		TEL (EVE):	
EMAIL ADDRESS:			
AGE:		DATE OF BIRTH:	
NATIONALITY:			
COMP LICENCE NO:		GRADE:	
BARC MEMBERSHIP NO:	(Mandatory)		
2CV CLUB MEMEBERSHIP NO:	(Mandatory)		
NAME OF ENTRANT:			
ADDRESS: (If different from above)			
POSTCODE:			
TEL (DAY):		TEL (EVE):	
ALL CORRESPONDANCE TO BE SENT TO:		DRIVER	ENTRANT
PREFERRED COMPETITION NO:		Note: No's 1 – 10 will be allocated based upon 2022 Championship positions. New members will be allocated a number between 11 – 99.	
PREVIOUS EXPERIENCE OF DRIVER:			
SIGNATURE OF ENTRANT: (If different from Driver)			
SIGNATURE OF DRIVER:			
DECLARATION TO BE COMPLETED BY ALL APPLICANTS			
I wish to register for the <b>2025 Classic 2CV RacingClassic 2CV Racing CHAMPIONSHIP</b> and I declare that the information given above is correct. I understand that should the above information change in any way I will confirm details in writing to the BARC as detailed below.			
SIGNED:		DATE:	
ONCE FULLY COMPLETED THIS FORM SHOULD BE RETURNED TO:			
The Classic 2CV Racing Club Limited			
FOR OFFICE USE ONLY			
REGISTRATION FEE	DATE RECEIVED:	DATE REG CARD SENT:	COMP. NO ALLOCATED:



## 2CV 24 HOUR ENDURO – MINI GRANDE REGULATIONS

Mini-Grand 24 Regulations in addition to the specific Event Regulations published by the British Automobile Racing Club.

### 1. GENERAL REGULATIONS:

#### 1.1 COMPETITOR ELIGIBILITY:

- 1.1.1 Entrants must hold a valid current Motorsport UK entrants' licence, if applicable
- 1.1.2 Drivers must be in possession of a valid Motorsport UK Competition Race National as a minimum for the Snetterton 24-hour race.
- 1.1.3 Drivers names must be clearly visible on both sides of the crash helmet and rear side windows.
- 1.1.4 Entries to this Event are by invitation only.

#### 1.2 VEHICLE ELIGIBILITY:

- 1.2.1 All classic Mini Saloons.

### 2. TECHNICAL REGULATIONS

#### 2.1 GENERAL DESCRIPTION:

- 2.1.1 The following technical Regulations are set out to provide information of the allowable modifications and it should be clearly understood that if the following text does not clearly specify that you can do a modification then you should work on the principle that you cannot.
- 2.1.2 It will be a requirement to become eligible to gain Championship points and Event trophies that all competing vehicles will be taken for a rolling road test to Slark race engineering (Bristol) on a date set approximately 2 weeks prior to each Event to carry out testing to ensure equality between the engines. At this point engines will be sealed as deemed fit. Following practice at each venue a period of 60 minutes will be allowed for all vehicles to be visually inspected by any Competitor /mechanic and the team managers who must sign the inspection sheet on each car to confirm they have looked at the car to ensure eligibility to enter the class for awards at the Event.

A 50mm hole in the bell housing for checks on the flywheel etc. is also mandatory. Please see the following image (Photo 1)

**Photo 1:** 50mm hole in Bell Housing for checks on Flywheel (See Regulation 2.1.1)



2.1.3 Competitors will be personally and solely responsible for ensuring that their cars comply with their registration details and with these Regulations in word and spirit. The nominated team manager and all Drivers are deemed to be responsible for the behaviour and actions of all people in and associated with their race team.

## 2.2 SAFETY REQUIREMENTS:

### 2.2.1 THE ARTICLES OF MOTORSPORT UK NCR Ch.7

- a) Safety criteria Regulations apply as specified plus Motorsport UK NCR Ch.9 in addition to Motorsport UK NCR Ch7 and Ch12 App.13. All Vehicles must comply with the safety requirements. All vehicles must comply with current Motorsport UK Regulations for circuit racing saloon cars.
- b) The installation of flame-retardant roll cage padding to all parts of the cage which may come into contact with the Driver's body, arms and head is mandatory.
- c) The installation of the roll cage assembly in a manner designed to achieve additional suspension rigidity and/or bracing is prohibited.

### 2.2.2 SEAT BELTS:

- a) FIA homologated seat belts to Motorsport UK NCR Ch.12 App.13 Art.11 & Ch7 App.7 Art.5 are mandatory.

### 2.2.3 FIRE EXTINGUISHERS:

- a) A plumbed in fire extinguisher to Motorsport UK NCR Ch.7 App.6 as a minimum is mandatory - the exterior fire extinguisher pull should be ideally fitted at the base of the front windscreen on the Driver's side adjacent to the isolator pull switch. It must not be recessed into the bodywork or wings and must be clearly identified with the appropriate 'E' decal. Motorsport UK NCR Ch.12 App.13 Art.11

### 2.2.4 BATTERY:

- a) The fitting of a battery cut-off switches to Motorsport UK NCR Ch.7 App.5 Art.5 is mandatory.
- b) The "battery to earth" cable to be identified by yellow tape and live terminals must be insulated.
- c) The battery must be of a sealed type and can be replaced by a lightweight competition version, but must stay in its original position, with additional securing brackets/clamps over and above the original fixings.

### 2.2.5 VEHICLE CONSTRUCTION:

- a) All vehicles must be of sound construction with no dangerous levels of rust or signs of previous accident damage.

### 2.2.6 TOWING HOOKS:

- a) The fitting of towing hooks front and rear to Motorsport UK NCR is mandatory.

### 2.2.7 HEAD RESTRAINT:

- a) A head restraint to Motorsport UK NCR CH7. App.7 Art. 4 must be fitted.

### 2.2.8 SEATS:

- a) The fitting as per Motorsport UK NCR Ch.7 App.7 Art.2 of a competition seat is mandatory; the entire area of the inner floor where the seat is bolted through must be reinforced or supported with an additional 3mm minimum thickness metal plate.

### 2.2.9 BODYWORK:

- a) A removable steel front end is allowable, but not mandatory and the inner fitch plates can be removed forward of the shock absorber mounting plates, but all engine components and accessories must stay in their original positions.
- b) The bonnet may be replaced with a fibreglass version but must be able to be opened from the outside of the car and does not need to be hinged.
- c) Boot must be hinged in its original position but can be replaced with a fibreglass version.
- d) All under bonnet sound proofing must be removed.
- e) Six 70mm diameter holes may be drilled in the rear valance.

#### 2.2.10 FUEL TANK:

- a) The fuel tank must be entirely within the boot & 30ltr max capacity.
- b) A drip tray must be fitted around the tank filler neck with suitable non fire hazardous drainage to the underneath of the car.
- c) The tank filler must accept a 20-litre tuff jug which is the maximum amount of fuel allowable at any refuelling stop.
- d) Fuel must be unleaded as supplied by the relevant race circuit using their card system and pumps which will be manned on a 24-hour basis. No jerry cans will be used.
- e) No performance enhancing additives will be allowed in the fuel.
- f) Foam filled tanks are a requirement at circuits outside the UK.
- g) no electrical or mechanical remote equipment will be allowed for the opening, closing or and securing the boot lid. This must be carried out at the rear of the car by the appropriate driver as per regulation 13 below.

#### 2.2.11 GLASS:

- a) Laminated windscreens must be fitted.
- b) Both of the front door windows must be replaced with 4mm Polycarbonate and the Driver's side window may have a sliding vent fitted.
- c) The remaining rear and side windows must be replaced with 4mm Clear Polycarbonate.

#### 2.2.12 CHASSIS:

- a) Front and Rear sub frames and mounting points must be retained entirely in the original positions and as fitted by the manufacturers (non-automatic).
- b) No modifications are allowed to both sub frame with the exception of seam welding and corner gussets to strengthen the sub frame and front tie bar anchor points.
- c) No chassis parts to be removed or replaced unless specified by the organisers.
- d) No lightening or modification of any part by any means.
- e) Support plates must be welded into position at the base of the roll cage feet at the fixing plates (minimum 3mm thick) the plates must be a minimum of 2 cm larger than the roll cage feet.

#### 2.2.13 INTERIOR:

- a) The fixing of additional gauges is allowed providing the gauges in no way compromise the Driver's safety.
- b) The instrumentation layout is free.
- c) The steering wheel may be changed for a competition type.
- d) The steering column lowering bracket may be use but must not be attached to the roll cage.
- e) Passenger & rear seats & seat belts must be removed.
- f) A foot brace can be fitted providing it does not compromise the Driver's safety.
- g) The removal of Carpet & Soundproofing is mandatory.
- h) Seal front and rear bulkheads to Motorsport UK NCR Ch.7 App.2 Art6.5 and Ch.12 App.13 Art.1.1
- i) Fresh air vents may be sealed.
- j) Original vehicle trim may be removed or retained.
- k) Extra plates may be added to the brake, clutch & accelerator pedals.
- l) In the interest of Driver's safety, the chrome trim on the door interiors and rear pockets must be removed.
- m) The rear pockets and rear seat tray may be removed.
- n) The heater unit must remain in its original position.

- o) The rear-view mirror can be replaced or replaced by a larger version.
- p) Transponders must be fitted to the upright of the rear roll cage adjacent to the bottom of the Driver's rear side window.

#### 2.2.14 EXTERIOR:

- a) The fitting of quick release grille buttons are allowed.
- b) The removal of the rear number plate light pod is allowed.
- c) Extra nonvisible fixings of the bumpers are allowed.
- d) Front number plate brackets can be removed.
- e) The front grill must remain as standard although the side copings can be fixed to the grill.
- f) The colour scheme is free.
- g) Spot lamps are allowed to be mounted on the bumper, grill, or front of the bonnet as long as the lights are not visible from the Driver's position.
- h) All lights must have additional securing tape over the glass area but must still work to full efficiency.
- i) The removal of the metal side seam trims is allowed but the use of additional.
- j) fixing such as pop rivets, to secure the metal capping is mandatory if they are retained.

#### 2.2.15 SILHOUETTE:

- a) The silhouette and plan view must remain as per the manufacturers' original with the exception of additional lighting pod on bonnet.

#### 2.2.16 GROUND CLEARANCE (AT THE START OF THE RACE):

- a) The ride height of the base of the rear sub frame front trunnion to the floor must be between 20 cm & 24 cm.
- b) The ride height of the vehicle's front sill seam in its original position must be between 20 cm & 24 cm.
- c) The ride height will be measured without a Driver in the vehicle.

#### 2.2.17 MODIFICATIONS PROHIBITED:

- a) Lightening of any part by any means unless specified.
- b) Any modification not specifically allowed.
- c) Any de-seaming.
- d) No additional air ducts or scoop apertures are allowed.

### 3. GENERAL ENGINE REGULATIONS

#### 3.1 PROHIBITED MODIFICATIONS:

- a) The modification or lightening of any part of the block or engine component is not allowed unless specifically specified.
- b) The use of any spark plug that reduces the combustion chamber volume beyond that achieved by a BP6 or BP7 spark plug are NOT to be used for the race or practice/qualifying sessions.

#### 3.2 PERMITTED MODIFICATIONS:

##### 3.2.1 ENGINE LOCATION:

- a) The position and inclination of the engine must be as original.

##### 3.2.2 COOLING SYSTEM:

- a) The fitting of a "13 row" oil cooler is allowed fitted within the periphery of the engine bay.
- b) The radiator can be changed for a larger capacity version, providing that it remains in the original side mounted position.

- c) The removal of any metal to fit a larger radiator is not allowed.
- d) A small additional radiator is allowed but must stay within the confines of the engine bay.
- e) The thermostat can be modified, removed, or replaced.
- f) A rubber hose of 5/8 inch int. Diameter can link the heater take off on the cylinder head (above no. 4 chamber) using a 'T' piece to the heater hose.
- g) No water hose can be repositioned, blocked off or restricted.
- h) Non-standard water hoses are permitted.
- i) The water pump pulley size may be varied.

### 3.2.3 EXHAUST SYSTEM:

- a) The exhaust manifold can be replaced by a three-branch manifold.
- b) The system can be replaced by either a single or double un-modified rc40 or Maniflow system. Not exceeding 1.7/8 inches overall diameter.
- c) The exhaust rear exit pipe can be shortened but must be at least 5cm beyond the rear exhaust box.
- d) Silencing must comply with Motorsport UK NCR Ch.7 App.8. Art.2

### 3.2.4 IGNITION SYSTEM:

- a) The ignition system is free with the exception of any mapped system. The system must be distributor based.

### 3.2.5 FUEL SYSTEM:

- a) The fuel pump is free but must not be in the Driver's compartment.

## 4. SUSPENSIONS

### 4.1 PERMITTED MODIFICATIONS:

- a) Front and rear sub-frame mounting rubber bushes can be substituted for non-offset drilled up-rated poly or nylon materials.
- b) Front sub-frame to floor mountings can be substituted for metal mounting brackets (part no. C-str642).
- c) Front & rear shock absorbers can change for up-rated single adjustment units.
- d) Front & rear suspension cones can change to an adjustable version.
- e) The front suspension lower arms may be replaced with an adjustable non-rose jointed unit.
- f) The front suspension tie bars may be substituted for an adjustable, non-rose jointed version (part no.21a1091).
- g) The rear sub-frame camber plate can be changed for an adjustable type.
- h) The front suspension bump stops can be replaced with a competition version or cut down but not removed.
- i) The front sub-frame to valance rubber mounts can be changed to solid versions.
- j) Rubber mounts on the front sub-frame towers may be replaced by a solid version of the same thickness but must not be removed.
- k) Front sub-frame tie bar rubbers may be replaced by competition type.
- l) Front suspension top arms must remain as standard.
- m) Standard rubber cones may be replaced with road/rally red dot competition versions.
- n) Rear radius arm droop stops may be fitted.

### 4.2 PROHIBITED MODIFICATIONS:

- a) Fitting of any part with a spherical bearing.
- b) Replacement of any suspension component with an alloy version unless specified.
- c) Lightening or modifying any suspension part, including sub-frames in any way.

- d) Any modification not specifically allowed.

#### 4.3 WHEELBASE AND TRACK:

- a) Rear track width at ground level must not exceed 124.5cm.
- b) Front track width at ground level must not exceed 129cm.
- c) Rear wheel spacers only are permitted which are not to exceed 6.5mm.
- d) Longer track rod ends must be fitted.
- e) Longer wheel studs must be fitted.

### 5. TRANSMISSIONS

#### 5.1 GENERAL SPECIFICATION

##### 5.1.1 PERMITTED MODIFICATIONS:

To the standard gearbox part no. Dam 5626

- a) The replacement of the standard differential unit by a cross pin version is allowed.
- b) The replacement of the standard differential pin for a competition version is allowed.
- c) The replacement of the baulk rings for a competition version is allowed.
- d) The lay shaft can be replaced by a toughened version (part no. C-22a1739).
- e) The gearbox must remain as fitted by the manufacturer for that model with four forward gears and one reverse gear.

First motion 17 teeth

1st gear 31 teeth

2nd gear 26 teeth

3rd gear 21 teeth

Lay gear teeth 30/26/21/15

- f) Fitting of a quick shift gear change is allowed (part no. C-22a1751).
- g) The gear lever and knob may be modified –but no other modification to the gear change mechanism is allowed.
- h) The clutch centre plate can be replaced with a competition version or any other available standard fitment.
- i) The fitting of additional stabilising bar from the gearbox to the sub-frame (part no. Mssk001) is allowed.
- j) The installation of a central oil pick up pipe is permitted.
- k) A magnetic trap can be fitted to the oil pipe fixing at the rear of the gearbox.

##### 5.1.2 PROHIBITED MODIFICATIONS:

- a) The replacement of any gears of the main gear cluster or lay gear cluster that will in any way alter the ratios is not allowed.
- b) The standard differential unit must not be replaced with a limited slip differential or have any other traction enhancing modification.
- c) The specified mandatory differential ratio and the rest of the drive train must remain as standard and as fitted by the manufacturer.

### 6. ELECTRICS

#### 6.1 LIGHTING:

- a) The headlight units can be upgraded and must be in full working order.
- b) The brake lights must be supported by a working rear facing non-switchable light mounted on the rear head lining rail, in the middle of the rear windscreen and be clearly visible from the rear of the car.

- c) The rear high intensity/fog light must be rear facing and positioned in the middle of the rear parcel shelf and must be clearly visible from the rear of the car.

## 6.2 GENERATORS:

- a) The alternator must remain as standard, in good working order and must remain correctly connected at all times to the electrical system with the fan belt connected to the alternator at all times. Fitting of an auxiliary switch to isolate the alternator charge drain is not allowed.

## 7. BRAKES

### 7.1 PERMITTED MODIFICATIONS:

- a) The front discs, calipers & rear drums must be as the manufacturer's original specification and material.
- b) The rear brakes must be operative at all times.
- c) Brake shoes and disc pad material can be upgraded with a competition version.
- d) All brake hoses must be replaced with braided versions.
- e) A brake bias valve may be fitted but must not be adjustable from the Driver's seated position.
- f) The front disc dust cover/back plates can be removed.
- g) The brake pipes can be re-routed through the inside of the car.

### 7.2 MODIFICATIONS PROHIBITED:

- a) The fitting of any alloy brake parts.
- b) The lightening of any brake parts in any way
- c) The installing of ductwork to additionally cool the brakes.
- d) The drilling or grooving of any brake parts.

## 8. WHEELS & TYRES

### 8.1 PERMITTED MODIFICATIONS:

- a) The wheels can only be 12" steel or alloy 4.5 J.
- b) The tyres must be road legal Yokohama A539 with a minimum tread depth of 1.6mm at any point across the face of the tyre before any race or official practice starts.
- c) The Nominated tyre for 2024 and onward, is under review and may be subject to change. Any change mandated by the organisers will be published by the 01 June 2024. This tyre nomination shall replace 8.1.b.

### 8.2 MODIFICATIONS PROHIBITED:

- a) The use of grip enhancing or compound altering fluids is not allowed.
- b) Yokohama O48R tyres are not permitted.

## 9. MINIMUM WEIGHT LIMITS

- a) The minimum weight of the car without Driver must be 665kg with low fuel at any time during qualifying or the race. Any ballast must be fitted in the passenger footwell. This may be checked at any time throughout the Event Friday to Sunday as requested by the organisers.
- b) The ballast must be of steel or lead and securely fixed in position, strategically position ballast in not allowed.

## 10. COMPETITION NUMBERS

- a) Numbers for the mini-grand vehicles must be clearly visible during the hours of darkness on each door. Numbers must Also be displayed on the bonnet and roof according to the Circuit requirements.

## 11. ENGINE SPECIFICATION FOR MINI GRANDE 24 HOUR RACE

### 11.1 PERMITTED MODIFICATIONS:

- a) The engine block must be a standard A+ (A Series Plus) 998cc unit bored to a maximum of + 40 using ae22463 or 87-524307-00 federal mogul un-modified pistons using all 3 rings. You may also use un-modified Omega forged pistons as an alternative.
- b) Cylinder blocks can be resurfaced providing pistons do not protrude beyond the block face.
- c) Standard Flywheel and “verto” Clutch must be used.
- d) Standard head casting no. Cam 4180 must be used.
- e) An un-modified mini-grand specified camshaft must be used (stock held by Slark race engineering).
- f) Standard un-modified cam followers to be used.
- g) Minimum combustion chamber size of 24.5cc using either a BP6 or BP7 plug must be achieved.
- h) Standard bore of 2.5420” and stroke of 3.0” are to be used.
- i) Valves must remain as standard.
- j) Standard un-modified rocker gear to be used without offset bushes or rocker pillar spacer.
- k) Standard un-modified 1:1 drop gears to be used.
- l) No offset camshaft keys to be used.
- m) Crank and flywheel assembly may be balanced by means of spot drilling only.
- n) The Crankshaft, Rods, Gudgeon pins and all other engine components must remain un-modified unless specified.
- o) Standard un-modified simplex timing gear to be used.
- p) 2 head bolt studs, 2 clutch housing bolts and 2 lower diff housing bolts to be drilled through with a 3mm drill for engine sealing purposes.
- q) Upgraded engine bolts are permitted.
- r) Standard or C-AEA 525 MiniSpares double valve springs only are allowed.
- s) 3 angled valve seats are permitted.
- t) Valve seat inserts may only be installed on the exhaust side and not on the inlet side.
- u) The fitting of additional engine steady bars and the replacement of original rubber bushes with nylon or poly bushes is allowed.
- v) Rubber stabiliser bushes can be replaced with nylon or poly bushes.
- w) Mandatory final drive diff ratio is 3:4.

#### 11.2 MODIFICATIONS PROHIBITED:

- a) The modification or lightening of any part of the block or engine component is not allowed unless specifically specified.
- b) The use of any spark plug that reduces the combustion chamber volume beyond that achieved by a BP6 or BP7 Spark Plug is not to be used for the race or practice/qualifying sessions.

#### 11.3 INDUCTION SYSTEM:

- a) An un-modified Mini Spares inlet manifold (part no. C-AHT770) or alloy “Maniflow” inlet manifold may be used with a HIF38 or HS4 SU carb.
- b) Air filter unit K&N 56-9320 or similar aftermarket version shall be used with no forced or ram air modifications allowed.

## 12. GENERAL ENGINE SPECIFICATION FOR RACES OUTSIDE OF THE UK

### 12.1 PERMITTED MODIFICATIONS:

- a) The engine block must be a standard A+ (A Series Plus) 1275cc unit bored to a maximum of +20 using P21253/20/TAM2050/NURALI87-524107.



- b) For safety reasons a lightened and balanced steel flywheel and pre verto type clutch back plate must be used. Minimum flywheel weight without bolts and straps 3.65 kg and back plate 1.25 kg. As per MED ST2 kit.
- c) Standard un-modified head casting no. 12G940 must be used. No porting allowed.
- d) A standard unmodified 3 ring 1275 SPI cams or a mini-grand 1275 control cam available from AC Dodd on exchange basis or outright billet can be used.
- e) Minimum combustion chamber size of 21.5cc as run.
- f) Unmodified standard crank and standard rods balanced end to end with a minimum weight of 630 grams must be used.
- g) 3 angle valve seats on standard valves are allowed with 45-degree valve seats maximum 35.7 mm inlet size and 29 mm exhaust size.
- h) 2 head bolt studs, 2 clutch housing bolts and 2 lower diff housing bolts must be drilled through with a 3mm drill for engine sealing purposes.
- i) Upgraded engine bolts are allowed.
- j) CAE 525 or standard double valve springs are allowed.
- k) Mandatory final drive diff ratio is 3:9.
- l) The rubber stabiliser bushes can be replaced with nylon or poly bushes.
- m) 1:1 straight cut drop gears are to be used.
- n) Any make of 1.5 roller rockers may be used.
- o) Cam followers can be replaced with lightened alternatives must remain the same diameter as originally fitted.
- p) The unmodified HIF44 Carb.system, unmodified "Maniflow" or MiniSpares alloy inlet manifold and air filter must be fitted.

#### 12.2 PROHIBITED MODIFICATIONS:

- a) The modification or lightening of any part of the block or engine component is not allowed unless specifically specified.
- b) The use of any spark plug that reduces the combustion chamber volume beyond that achieved by a bp6 or bp7 spark plug are not to be used for the race or practice/qualifying sessions.

#### 13. SPECIFIC RACE REGULATIONS:

1. DURING THE RACE REFUELLING PERIOD THE ONLY PEOPLE ALLOWED TO TOUCH THE BOOT LID ARE AS FOLLOWS:

THE DRIVER GETTING OUT OF THE CAR IS THE ONLY PERSON ALLOWED TO OPEN

THE BOOT LID AND THE DRIVER GETTING INTO THE CAR IS THE ONLY PERSON ALLOWED TO CLOSE THE BOOT LID

THIS IS DESIGNED TO ENSURE THAT NO REFUELLING CAN TAKE PLACE WITH THE DRIVER IN THE VEHICLE

Please note: - once again we have been invited to go endurance racing. This opportunity is down to the good grace of the organisers and members of the host club so we are duty bound to enter into this Event with the spirit in which we have been invited.

2. 'Mini Grande class' vehicles may be subjected to pre-event engine power testing on a dynamometer. This may be present on site prior to the Friday qualifying sessions to verify the output power from each engine, which should be within a window 4% of the mean output to be eligible to win awards. Vehicles must be presented to the dynamometer upon request.

Please read the specific Event Regulations published by the BARC for further Event information and Regulations.

## 2CV UK HYBRID SPORTING & TECHNICAL REGULATIONS

### 1. SPORTING REGULATIONS

#### 1.1 GENERAL REGULATIONS:

- 1.1.1 This class is intended for European and multi class racing and it is NOT for Classic 2CV Racing Club Championship **Sprint** Races in the UK.

#### 1.2 REFUELLING:

- a) Re-fuelling must be carried out using a Motorsport UK compliant system *or a system approved by the National Motorsport organisers of the country where a car is racing*. For all UK Hybrid cars, it is mandatory that an unmodified (save as to the length of the breather tube below) Classic 2CV Racing Club Limited supplied "Tuff Jug" model number TJ1 or its successor, clearly marked by the manufacturer (Fair Trails Enterprises or its successors) is used. The breather tube inside the Tuff Jug shall be at least 60cm in length.

The filler cap shall be securely in place at any time the car is on the circuit, failure to ensure this could result in the car being shown the black signal.

There is strictly no decanting of fuel from one container to another at any time. Random inspections to ensure compliance will take place. A maximum of two tuff jugs may be used during a refuelling stop.

- b) Refuelling may not be used in such a way as to increase the fuel flow rate over that engendered by gravity and non-assisted airflow. The Organisers reserve the right to instruct the team to modify their refuelling procedures and failure to comply with such instruction may lead to disqualification from the Event.
- c) The team member who actually refuels the car during a pit stop must wear fireproof overalls, gloves, balaclava, and goggles. In addition, a fire extinguisher must be adjacent to another team member also dressed in fireproof overalls, gloves, and balaclava during the refuelling process in case it is needed to be used.
- d) All Competitors should note that smoking is not permitted in the garages, pit lane or on the pit wall at any time during the Event. This rule also applies to electronic cigarettes. All team members and guests must be made aware of this restriction and failure to comply will lead to immediate disqualification for the car concerned.
- e) Each team must provide a suitable foam fire extinguisher.

### 2. TECHNICAL REGULATIONS

#### 2.1 INTRODUCTION:

Unless specified here, all Technical Regulations stated in the 2024, Classic 2CV Racing Club Championship Sporting and Technical Regulations apply absolutely.

#### 2.2 GENERAL DESCRIPTION:

These Regulations are designed to allow for European Endurance racing a UK Hybrid car, which is essentially a Classic 2CV Racing Club Championship 'Club' Class car fitted with a twin cylinder motorcycle engine from a BMW R1100RS, R1100RT, R1100R or R1100GS donor bike (R1100S is not allowed) and where front brakes and gearbox are free.

#### 2.3 ENGINE:

##### 2.3.1 GENERAL ENGINE REGULATIONS

- 2.3.1.1 The engine shall be a standard 2 cylinder horizontally opposed air-cooled BMW unit taken from a BMW R1100RS, R1100RT, R1100R or R1100GS donor bike (R1100S is not allowed). The following components are assumed to be part of the engine for the purpose of these Regulations:

- a) Crankcase, barrels and cylinder head assembly and all engine covers attached in the standard bike.
- b) Alternator
- c) Throttle bodies and injectors
- d) ECU and all sensors (timing, air temperature, throttle position, oil temperature, lambda and CO potentiometer)
- e) Motronic and starter relays

f) Ignition coil

2.3.1.2 Absolutely no engine modifications are allowed except as follows.

2.3.1.3 **FLYWHEEL:**

Flywheel is free.

2.3.2 **PROHIBITED MODIFICATIONS:**

With the exception of the items detailed in 2.3.1 it is expressly forbidden to machine, mill, grind, polish, weld, modify or otherwise adapt engine parts to achieve the stated parameters, or for any other reason, including surface finishing.

It is expressly forbidden to fit parts from BMW R1100S engines irrespective of whether or not they fit without modification.

2.3.3 **LOCATION AND MOUNTING:**

2.3.3.1 The engine shall be located in front of the gearbox.

2.3.3.2 The method of mounting the engine is free.

2.3.3.3 It is permissible to modify the foremost chassis crossmember to aid engine installation.

2.3.4 **INDUCTION SYSTEMS:**

2.3.4.1 Standard throttle bodies and injectors from a BMW R1100 series bike must be used. It is not permitted to modify either the injectors or throttle bodies in any way.

2.3.4.2 Throttle bodies must be connected to the engine using a modified inlet manifold.

2.3.4.3 Fuel pressure regulators are free. It is permitted to remove the original plastic pipes from a fuel line or regulator and replace them with rubber fuel hose to SAE J30 R9 specification.

2.3.4.4 Air filters must be used but their design and location are free.

2.3.5 **EXHAUST SYSTEMS:**

2.3.5.1 An exhaust system comprising left and right-hand exhaust headers, 2 into 1 collector and swan neck must be fitted.

2.3.5.2 Silencers are free.

2.3.5.3 The exhaust gases shall be expelled behind the mid-point of the wheelbase of the vehicle.

2.3.5.4 The exhaust system shall comply with Motorsport UK NCR Ch.7 App.8. Art.1

2.3.6 **IGNITION SYSTEMS:**

2.3.6.1 The BMW ignition system must be retained. No modifications to the standard BMW ECU are permitted.

2.3.6.2 The Eligibility Scrutineer retains the right to exchange the ECU unit for another held by him during any Event.

2.3.6.3 Any HT lead is permitted.

2.3.6.4 Any 14mm commercially available spark plug is permitted.

2.3.7 **FUEL DELIVERY SYSTEMS:**

2.3.7.1 It is permissible to install in-line fuel filters and water traps.

2.3.7.2 It is permissible to replace the standard fuel line with an alternative type or material of the same internal diameter.

2.3.7.3 Low pressure pump, high pressure pump and swirl pot are all free.

2.4 **TRANSMISSIONS:**

Free to include the means of operating the gearbox and to allow openings into the bulkhead as required to safely locate the transmission.

2.5 **BRAKES:**

Front brakes are free and can be located inboard or outboard.

2.6 **WHEELS & TYRES:**

- 2.6.1 Steel and alloy wheels 14" or 15" are permitted,
- 2.6.2 Tyres will have a maximum width of 175mm.
- 2.6.3 Suitable construction wheel adaptors to convert from 3 stud to 4 or 5 studs are permitted.
- 2.6.4 Cars may only use Road Tyres, which are "E" marked compliant with Motorsport UK NCR Ch.8 L. All tyres must be listed on Motorsport UK Approved List 1A or have been listed on Motorsport UK Approved List 1A tyres within the past 3 years.
- 2.6.5 The use of tyre heating/heat retention devices is prohibited, as is the use of compound softening fluids.
- 2.7 **WEIGHT:**
- 2.7.1 Cars shall have a minimum weight of 615kg including a full tank of fuel and exclusive of Driver at all times during and at completion of practice and racing.
- 2.8 **FUEL TANK / FUEL:**
- 2.8.1 **TYPES:**
- 2.8.1.1 The fuel tank shall be:
- 2.8.1.2 either a Citroen 2CV6 standard production plastic item with a maximum capacity of 25 litres.
- 2.8.1.3 or a Racing type safety Fuel Cell, with a maximum capacity of 30 litres, may be used subject to compliance with Motorsport UK NCR 2025 Requirements.
- 2.8.1.4 It is permissible to fit a vent to the fuel filler neck to enable compliance with Motorsport UK NCR Ch.7 App.4.
- 2.8.2 **LOCATIONS:**
- 2.8.2.1 The original 2CV (see 2.8.1.2) fuel tank shall be located in the manufacturer's intended position between the chassis legs at the rear of the vehicle.
- 2.8.2.2 Alternatively, a Fuel Cell (see 2.8.1.3) may be located anywhere to the rear of the Driver's seat, subject to compliance with Motorsport UK NCR 2025 requirements.
- 2.8.3 **FUEL:**
- Permitted fuel shall be used as defined as petrol in **Ch.1 App.1 and Ch.8 App.1 Art. 1.7a.** of the Motorsport UK NCR.
- 2.8.4 **FILLER CAP:**
- A filler cap shall be fitted that complies with NCR Ch.7 App.4 of the Motorsport UK NCR.



A socially-minded standard of behaviour is expected from everyone within the motorsport community.

By participating in a Motorsport UK Event in any capacity you agree to follow the values of the Respect Code:

Motorsportuk.org/racewithrespect  
#RaceWithRespect

**The Values**

**Respect**

**Fair play**

**Integrity**

**Good Manners**

**Self-Control**

I pledge to #RaceWithRespect and:

- Contribute to a welcoming and friendly environment that ensures the safety and welfare of all participants.
- Always behave with integrity and uphold fairness in the sport; play my part in keeping the sport safe through your actions
- Treat everyone with respect, regardless of their gender, ethnic or social background, language, religious or other beliefs, disability, sexual identity or other status
- Recognise that we all represent the sport and therefore have a duty to be polite and respectful to all staff, officials, fellow Competitors, volunteers, as well as fans and supporters
- Respect the rules, Regulations and authority of the officials and Motorsport UK

Any breach of these obligations may result in disciplinary action.